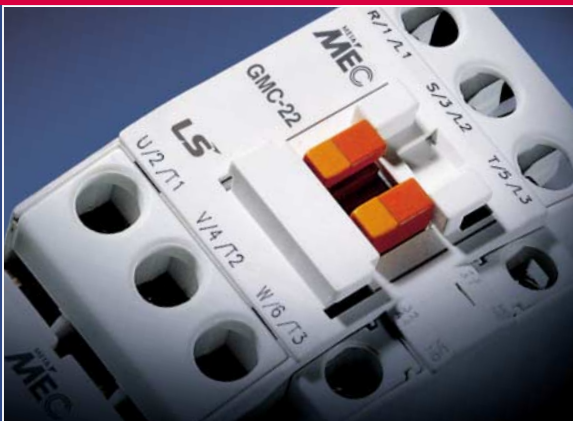


Meta-MEC  
**Contactors  
And Overload Relays**



Electric Equipment

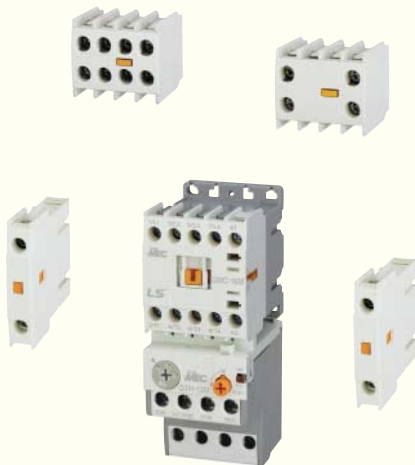
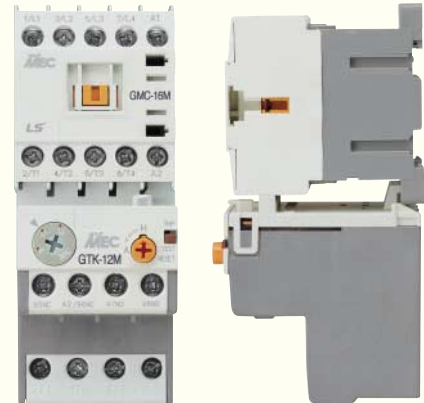


Environmental policy and RoHS compliance	4 ~ 5
General descriptions	6 ~ 13
Catalog numbering system	16 ~ 17
Quick selection table	18 ~ 22

## Mini contactors & Mini overload relays

6A 9A 12A 16A

<b>Contactors, AC control</b>	24
<b>Contactors, DC control</b>	26
<b>Starters</b>	50
<b>Reversing contactors, AC control</b>	61
<b>Reversing contactors, DC control</b>	63
<b>Contactor relays</b>	74
<b>Overload relays</b>	87
<b>Accessories</b>	113



### Accessories for Mini contactors & Overload relays

Auxiliary contact blocks	110
Timer unit	112
Surge absorber unit	112
Separate mounting unit	113
Interlock unit	113
Solder pin terminals	113
<b>Electrical lifespan</b>	150
<b>Dimensions</b>	160

# Mini contactors

## Mini contactors providing various connections and Accessories

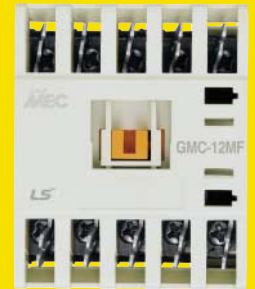
### Ratings

Frame size	AC3 ratings (IEC60947-4)				AC1 rating Ith
	220 ~ 240V	280 ~ 440V	500 ~ 550V	690V	
6A	1.5kW	2.2kW	3kW	3kW	20A
	7A	6A	5A	4A	
9A	2.2kW	4kW	3.7kW	4kW	20A
	9A	9A	6A	5A	
12A	3kW	5.5kW	4kW	4kW	20A
	12A	12A	7A	5A	
16A	4kW	7.5kW	5.5kW	4kW	20A
	15A	16A	9A	5A	

### Screw clamps



### Fast-on



For conventional  
screw connections

For fast-on  
connections



Mini-overload relay



Overload relay  
separately mounted

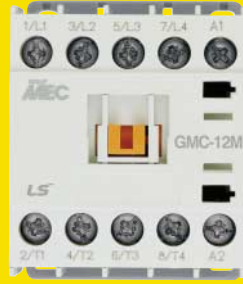


Reversing contactor

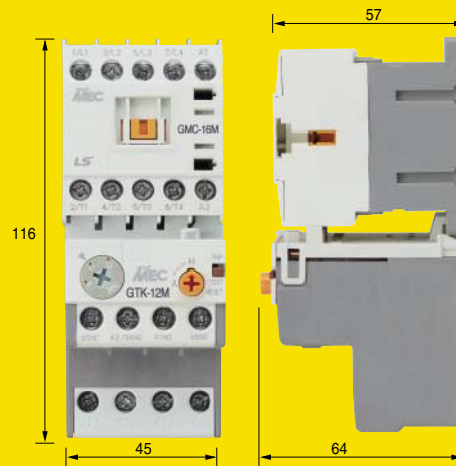
### Cage clamps



### Solder pins



### Dimensions, mm



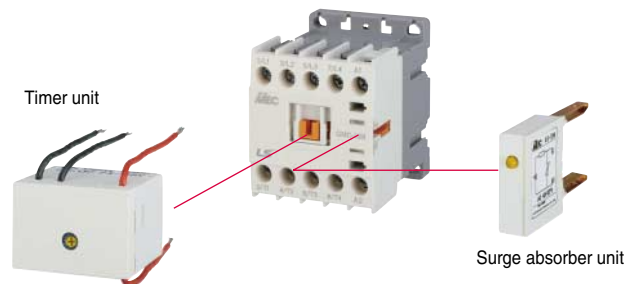
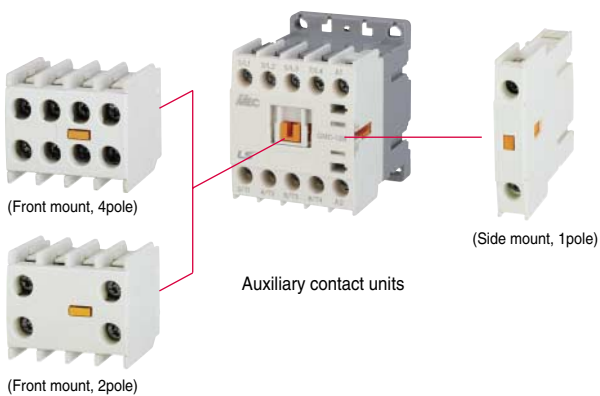
(Screw clamp type)



For screwless connections



To mount on printed circuit boards



# Quick selection table

## Mini contactors & overloads

### Mini contactors

3NO main contacts  
1 auxiliary contacts



Screw clamp type



Fast-on type



Cage clamp type



Solder pin type

Frame size		6A		9A		12A		16A	
Screw clamp type	AC coil	GMC-6M		GMC-9M		GMC-12M		GMC-16M	
	DC coil	GMD-6M		GMD-9M		GMD-12M		GMD-16M	
Fast-on type	AC coil	GMC-6MF		GMC-9MF		GMC-12MF		GMC-16MF	
	DC coil	GMD-6MF		GMD-9MF		GMD-12MF		GMD-16MF	
Cage clamp type	AC coil	GMC-6MC		GMC-9MC		GMC-12MC		GMC-16MC	
	DC coil	GMD-6MC		GMD-9MC		GMD-12MC		GMD-16MC	
Solder pin type	AC coil	GMC-6MP		GMC-9MP		GMC-12MP		GMC-16MP	
	DC coil	GMD-6MP		GMD-9MP		GMD-12MP		GMD-16MP	
<b>Ratings / IEC60947-4</b>		kW	A	kW	A	kW	A	kW	A
AC1		20		20		20		20	
AC3	200/240V	1.5	7	2.2	9	3	12	4	15
	<b>380/440V</b>	<b>2.2</b>	<b>6</b>	<b>4</b>	<b>9</b>	<b>5.5</b>	<b>12</b>	<b>7.5</b>	<b>16</b>
	500/550V	3	5	3.7	6	4	7	5.5	9
	690V	3	4	4	5	4	5	4	5
<b>Ratings / UL508</b>		hp	A	hp	A	hp	A	hp	A
continuous current		lth = 20A (maximum for cage clamp type is 10A)							
single phase	120V	1/2		1/2		1 *		-	
	230V/240V	1		1.5		2 **		-	
three phase	240V	1.5		3		3		-	
	480V	3		5		7.5 ***		-	
	600V	3		5		7.5		-	
Wire Range : Copper, 75°C, Stranded, 18-12AWG									
NEMA size		00		00		00		0	
<b>Additional auxiliary contacts</b>		<b>Screw clamp type</b>		<b>Fast-on type</b>		<b>Cage clamp type</b>		<b>Solder pin type</b>	
2-pole, Front mount	AU-2M			AU-2MF		AU-2MC			
	AU-4M			AU-4MF		AU-4MC			
	AU-1M			AU-1MF		AU-1MC			
4-pole, Front mount									
2-pole, Side mount									

Note) \* = 1/2 for cage clamp type, \*\* = 1.5hp for cage clamp type, \*\*\* = 5hp for cage clamp type  
16AF : not approved from UL

### Overload Relays

<b>Bimetallic style</b> Type GT Class 10A	GT-12M	<b>Setting ranges (A)</b> 0.1 - 0.16 0.16 - 0.25 0.25 - 0.4 0.4 - 0.63 0.63 - 1 1 - 1.6 1.6 - 2.5 2.5 - 4	4 - 6 5 - 8 6 - 9 7 - 10 9 - 13 12 - 16	Base for separate mount	<a href="#">See page 87 for more details</a>
	Differential	GTK-12M			
	Non-differential (3-heater)	GTH-12M/3			
	Non-differential (2-heater)	GTH-12M			



## Mini contactors

6A    9A    12A    16A

Contactors, AC control	24
Contactors, DC control	26

## 3-pole Contactors

9A    ~    800A

3pole	9A	12A	18A	22A	28
3pole	32A	40A			30
3pole	50A	65A	75A	85A	32
3pole	100A	125A	150A		34
3pole	180A	220A	300A	400A	36
3pole	600A	800A			38



## 4-pole Contactors

9A    ~    800A

4pole	9A	12A	18A	22A	40	
4pole	32A	40A			42	
4pole	50A	65A	75A	85A	44	
4pole	100A	125A	150A	180A	220A	46
4pole	300A	400A	600A	800A	48	



## Motor starters

Open type	50
Enclosed type	53



## Power control



Reversing contactors	61
Latching contactors	70
Contactor relays	75
Capacitor contactors	76
2-pole DC contactors	77
2-pole AC contactors	78

# Mini contactors

## AC coil

### Contactors

- For motor control
- 3 main plus 1 auxiliary contacts
- Coil voltage : AC



#### Screw clamp connection types

Frame size	AC3 ratings (IEC60947-4)				AC1 rating lth	Auxiliary contact (standard)	Type
	220 ~ 240V	380 ~ 440V	500 ~ 550V	690V			
6A	1.5kW 7A	2.2kW 6A	3kW 5A	3kW 4A	20A	1NO or 1NC	GMC-6M
9A	2.2kW 9A	4kW 9A	3.7kW 6A	4kW 5A	20A	1NO or 1NC	GMC-9M
12A	3kW 12A	5.5kW 12A	4kW 7A	4kW 5A	20A	1NO or 1NC	GMC-12M
16A	4kW 15A	7.5kW 16A	5.5kW 9A	4kW 5A	20A	1NO or 1NC	GMC-16M



#### Fast-on connection types

Frame size	AC3 ratings (IEC60947-4)				AC1 rating lth	Auxiliary contact (standard)	Type
	220 ~ 240V	380 ~ 440V	500 ~ 550V	690V			
6A	1.5kW 7A	2.2kW 6A	3kW 5A	3kW 4A	20A	1NO or 1NC	GMC-6MF
9A	2.2kW 9A	4kW 9A	3.7kW 6A	4kW 5A	20A	1NO or 1NC	GMC-9MF
12A	3kW 12A	5.5kW 12A	4kW 7A	4kW 5A	20A	1NO or 1NC	GMC-12MF
16A	4kW 15A	7.5kW 16A	5.5kW 9A	4kW 5A	20A	1NO or 1NC	GMC-16MF

#### Coil voltage, AC 50/60Hz

24, 36, 42, 48, 110, 115, 120, 127, 200 / 208, 220, 220 / 230, 230 / 240, 256, 277, 380 / 400  
400, 440, 480, 500, 550V AC

#### Performance (at 440VAC)

Frame size	6A	9A	12A	16A
Operation current	6A	9A	12A	16A
Making current	72A	108A	144A	180A
Breaking current	60A	90A	120A	150A
Operation cycle	1800 operations/hour			
Endurance	• Electrical : 1 mil. operations • Mechanical : 12 mil. operations			

(Note) 16A frame is not UL listed item.

#### Coil characteristic

Coil voltage	AC
Coil consumption (W)	2
Inrush	32VA
Sealed	6VA
Closing voltage (%)	80~110
Opening voltage (%)	30~40
Closing time (ms)	10~20
Opening time (ms)	35~45

**Certificate**  
CE, ULcUL

## Contactors

- For motor control
- 3 main plus 1 auxiliary contacts
- Coil voltage : AC

### Cage clamp connection types



Frame size	AC3 ratings (IEC60947-4)				AC1 rating Ith	Auxiliary contact (standard)	Type
	220 ~ 240V	380 ~ 440V	500 ~ 550V	690V			
6A	1.5kW 7A	2.2kW 6A	3kW 5A	3kW 4A	20A	1NO or 1NC	GMC-6MC
9A	2.2kW 9A	4kW 9A	3.7kW 6A	4kW 5A	20A	1NO or 1NC	GMC-9MC
12A	3kW 12A	5.5kW 12A	4kW 7A	4kW 5A	20A	1NO or 1NC	GMC-12MC
16A	4kW 15A	7.5kW 16A	5.5kW 9A	4kW 5A	20A	1NO or 1NC	GMC-16MC

### Solder pin connection types



Frame size	AC3 ratings (IEC60947-4)				AC1 rating Ith	Auxiliary contact (standard)	Type
	220 ~ 240V	380 ~ 440V	500 ~ 550V	690V			
6A	1.5kW 7A	2.2kW 6A	3kW 5A	3kW 4A	20A	1NO or 1NC	GMC-6MP
9A	2.2kW 9A	4kW 9A	3.7kW 6A	4kW 5A	20A	1NO or 1NC	GMC-9MP
12A	3kW 12A	5.5kW 12A	4kW 7A	4kW 5A	20A	1NO or 1NC	GMC-12MP
16A	4kW 15A	7.5kW 16A	5.5kW 9A	4kW 5A	20A	1NO or 1NC	GMC-16MP

### Coil voltage, AC 50/60Hz

24, 36, 42, 48, 110, 115, 120, 127, 200 / 208, 220, 220 / 230, 230 / 240, 256, 277, 380 / 400, 400, 440, 480, 500, 550V AC

### Ordering information

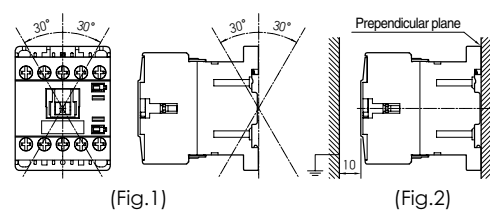
Type, Auxiliary contact and Coil voltage

### For more information

- Drawings → page 160
- Reversing contactors → page 61
- Overload relays → page 87
- Optional accessories → page 110~113

**Certificate**  
CE, ULcUL

**Caution**



\*Even installing direction takes the direction of Fig.1 to perpendicular, up to the direction of the 30°. Keep the distance more than 10mm with arc space shown Fig.2



# Mini contactors

## DC coil

### Contactors

- For motor control
- 3 main plus 1 auxiliary contacts
- Coil voltage : DC



#### Screw clamp connection types

Frame size	AC3 ratings (IEC60947-4)				AC1 rating lth	Auxiliary contact (standard)	Type
	220 ~ 240V	380 ~ 440V	500 ~ 550V	690V			
6A	1.5kW 7A	2.2kW 6A	3kW 5A	3kW 4A	20A	1NO or 1NC	GMD-6M
9A	2.2kW 9A	4kW 9A	3.7kW 6A	4kW 5A	20A	1NO or 1NC	GMD-9M
12A	3kW 12A	5.5kW 12A	4kW 7A	4kW 5A	20A	1NO or 1NC	GMD-12M
16A	4kW 15A	7.5kW 16A	5.5kW 9A	4kW 5A	20A	1NO or 1NC	GMD-16M



#### Fast-on connection types

Frame size	AC3 ratings (IEC60947-4)				AC1 rating lth	Auxiliary contact (standard)	Type
	220 ~ 240V	380 ~ 440V	500 ~ 550V	690V			
6A	1.5kW 7A	2.2kW 6A	3kW 5A	3kW 4A	20A	1NO or 1NC	GMD-6MF
9A	2.2kW 9A	4kW 9A	3.7kW 6A	4kW 5A	20A	1NO or 1NC	GMD-9MF
12A	3kW 12A	5.5kW 12A	4kW 7A	4kW 5A	20A	1NO or 1NC	GMD-12MF
16A	4kW 15A	7.5kW 16A	5.5kW 9A	4kW 5A	20A	1NO or 1NC	GMD-16MF

#### Coil voltage, DC

- ① Standard type : 12, 20, 24, 36, 42, 48, 60, 72, 110, 120, 125, 220, 240, 250V DC
- ② Low consumption type : 12, 20, 24, 48, 72, 110, 120V DC(Low)
- ③ Wide Voltage : 12, 20, 24, 48, 72, 110, 12V DC(Wide)

#### Ordering information

Type, Auxiliary contact and Coil voltage

#### Coil characteristic

Coil voltage	DC		
	Standard	Low consumption	Wide voltage
Coil consumption (W)	3	1.2	2
Inrush	3W	1.2W	2W
Sealed	3W	1.2W	2W
Closing voltage (%)	80~110	80~125	70~125
Opening voltage (%)	10~30	10~30	10~30
Closing time (ms)	40~50	40~50	40~50
Opening time (ms)	35~45	35~45	35~45

**Certificate**  
CE, ULcUL

## Contactors

- For motor control
- 3 main plus 1 auxiliary contacts
- Coil voltage : DC



### Cage clamp connection types

Frame size	AC3 ratings (IEC60947-4)				AC1 rating lth	Auxiliary contact (standard)	Type
	220 ~ 240V	380 ~ 440V	500 ~ 550V	690V			
6A	1.5kW 7A	2.2kW 6A	3kW 5A	3kW 4A	20A	1NO or 1NC	GMD-6MC
9A	2.2kW 9A	4kW 9A	3.7kW 6A	4kW 5A	20A	1NO or 1NC	GMD-9MC
12A	3kW 12A	5.5kW 12A	4kW 7A	4kW 5A	20A	1NO or 1NC	GMD-12MC
16A	4kW 15A	7.5kW 16A	5.5kW 9A	4kW 5A	20A	1NO or 1NC	GMD-16MC

### Solder pin connection types



Frame size	AC3 ratings (IEC60947-4)				AC1 rating lth	Auxiliary contact (standard)	Type
	220 ~ 240V	380 ~ 440V	500 ~ 550V	690V			
6A	1.5kW 7A	2.2kW 6A	3kW 5A	3kW 4A	20A	1NO or 1NC	GMD-6MP
9A	2.2kW 9A	4kW 9A	3.7kW 6A	4kW 5A	20A	1NO or 1NC	GMD-9MP
12A	3kW 12A	5.5kW 12A	4kW 7A	4kW 5A	20A	1NO or 1NC	GMD-12MP
16A	4kW 15A	7.5kW 16A	5.5kW 9A	4kW 5A	20A	1NO or 1NC	GMD-16MP

### Coil voltage, DC

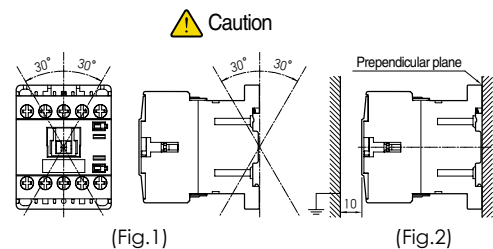
- ① Standard type : 12, 20, 24, 36, 42, 48, 60, 72, 110, 120, 125, 220, 240, 250V DC
- ② Low consumption type : 12, 20, 24, 48, 72, 110, 120V DC(Low)
- ③ Wide Voltage : 12, 20, 24, 48, 72, 110, 12V DC(Wide)

### Ordering information

Type, Auxiliary contact and Coil voltage

### For more information

- Drawings → page 160
- Reversing contactors → page 62
- Overload relays → page 87
- Optional accessories → page 110~113



\*Even installing direction takes the direction of Fig.1 to perpendicular, ip to the direction of the 30°. Keep the distance more than 10mm with arc space shown Fig.2

**Certificate**  
CE, ULcUL

# Motor starters, open

2.2kW ~ 7.5kW

## Starters

- Open types
- Direct (Full voltage) types
- Coil voltage : AC
- Contactors : screw clamp connection types
- Overload relays : differential or non-differential types



### AC coil contactor + Differential type overload relay

Devices combined		AC3 ratings (IEC60947-4)				Auxiliary contacts	Starter Type
Contactor (AC coil)	Overload (differential)	220 ~ 240V	380 ~ 440V	500 ~ 550V	690V		
GMC-6M	GTK-12M	1.5kW 7A	2.2kW 6A	3kW 5A	3kW 4A	1NO or 1NC	GMS-6M/K
GMC-9M	GTK-12M	2.2kW 9A	4kW 9A	3.7kW 6A	4kW 5A	1NO or 1NC	GMS-9M/K
GMC-12M	GTK-12M	3kW 12A	5.5kW 12A	4kW 7A	4kW 5A	1NO or 1NC	GMS-12M/K
GMC-16M	GTK-12M	4kW 15A	7.5kW 16A	5.5kW 9A	4kW 5A	1NO or 1NC	GMS-16M/K

### AC coil contactor + Non-differential type overload relay

Devices combined		AC3 ratings (IEC60947-4)				Auxiliary contacts	Starter Type
Contactor (AC coil)	Overload (Non-differential)	220 ~ 240V	380 ~ 440V	500 ~ 550V	690V		
GMC-6M	GTH-12M/3	1.5kW 7A	2.2kW 6A	3kW 5A	3kW 4A	1NO or 1NC	GMS-6M
GMC-9M	GTH-12M/3	2.2kW 9A	4kW 9A	3.7kW 6A	4kW 5A	1NO or 1NC	GMS-9M
GMC-12M	GTH-12M/3	3kW 12A	5.5kW 12A	4kW 7A	4kW 5A	1NO or 1NC	GMS-12M
GMC-16M	GTH-12M/3	4kW 15A	7.5kW 16A	5.5kW 9A	4kW 5A	1NO or 1NC	GMS-16M

#### Coil voltage, AC 50/60Hz

24, 36, 42, 48, 110, 115, 120, 127, 200 / 208, 220, 220 / 230, 230 / 240, 256, 277, 380 / 400  
400, 440, 480, 500, 550V AC

#### Ordering information

Type, Auxiliary contact and Coil voltage  
Overload relay setting range ( → page 87)

#### For more information

- Drawings → page 180
- Mini Contactors → page 24
- Mini Overload relays → page 87
- Optional accessories → page 110~113

**Certificate**  
CE, ULcUL

# Mini contactors, Reversing type

6A ~ 16A / AC coil



## Reversing contactors

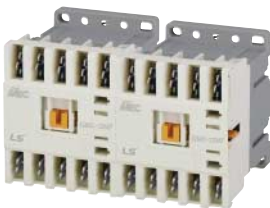
- For motor control
- Mechanically interlocked
- Coil voltage : AC

### Screw clamp connection types



Frame size	AC3 ratings (IEC60947-4)				AC1 rating Ith	Auxiliary contact (standard)	Type
	220 ~ 240V	380 ~ 440V	500 ~ 550V	690V			
6A	1.5kW 7A	2.2kW 6A	3kW 5A	3kW 4A	20A	1NO or 1NC	GMC-6MR
9A	2.2kW 9A	4kW 9A	3.7kW 6A	4kW 5A	20A	1NO or 1NC	GMC-9MR
12A	3kW 12A	5.5kW 12A	4kW 7A	4kW 5A	20A	1NO or 1NC	GMC-12MR
16A	4kW 15A	7.5kW 16A	5.5kW 9A	4kW 5A	20A	1NO or 1NC	GMC-16MR

### Fast-on connection types



Frame size	AC3 ratings (IEC60947-4)				AC1 rating Ith	Auxiliary contact (standard)	Type
	220 ~ 240V	380 ~ 440V	500 ~ 550V	690V			
6A	1.5kW 7A	2.2kW 6A	3kW 5A	3kW 4A	20A	1NO or 1NC	GMC-6MFR
9A	2.2kW 9A	4kW 9A	3.7kW 6A	4kW 5A	20A	1NO or 1NC	GMC-9MFR
12A	3kW 12A	5.5kW 12A	4kW 7A	4kW 5A	20A	1NO or 1NC	GMC-12MFR
16A	4kW 15A	7.5kW 16A	5.5kW 9A	4kW 5A	20A	1NO or 1NC	GMC-16MFR

### Coil voltage, AC 50/60Hz

24, 36, 42, 48, 110, 115, 120, 127, 200 / 208, 220, 220 / 230, 230 / 240, 256, 277, 380 / 400, 400, 440, 480, 500, 550V AC

### Ordering information

Type, Auxiliary contact and Coil voltage

### For more information

- Drawings → page 186
- Overload relays → page 87
- Optional accessories → page 110~113

**Certificate**  
CE, ULcUL

# Mini contactors, Reversing type

6A ~ 16A / AC coil

## Reversing contactors

- For motor control
- Mechanically interlocked
- Coil voltage : AC



### Cage clamp connection types

Frame size	AC3 ratings (IEC60947-4)				AC1 rating Ith	Auxiliary contact (standard)	Type
	220 ~ 240V	380 ~ 440V	500 ~ 550V	690V			
6A	1.5kW 7A	2.2kW 6A	3kW 5A	3kW 4A	20A	1NO or 1NC	GMC-6MCR
9A	2.2kW 9A	4kW 9A	3.7kW 6A	4kW 5A	20A	1NO or 1NC	GMC-9MCR
12A	3kW 12A	5.5kW 12A	4kW 7A	4kW 5A	20A	1NO or 1NC	GMC-12MCR
16A	4kW 15A	7.5kW 16A	5.5kW 9A	4kW 5A	20A	1NO or 1NC	GMC-16MCR



### Solder pin connection types

Frame size	AC3 ratings (IEC60947-4)				AC1 rating Ith	Auxiliary contact (standard)	Type
	220 ~ 240V	380 ~ 440V	500 ~ 550V	690V			
6A	1.5kW 7A	2.2kW 6A	3kW 5A	3kW 4A	20A	1NO or 1NC	GMC-6MPR
9A	2.2kW 9A	4kW 9A	3.7kW 6A	4kW 5A	20A	1NO or 1NC	GMC-9MPR
12A	3kW 12A	5.5kW 12A	4kW 7A	4kW 5A	20A	1NO or 1NC	GMC-12MPR
16A	4kW 15A	7.5kW 16A	5.5kW 9A	4kW 5A	20A	1NO or 1NC	GMC-16MPR

### Coil voltage, AC 50/60Hz

24, 36, 42, 48, 110, 115, 120, 127, 200 / 208, 220, 220 / 230, 230 / 240, 256, 277, 380 / 400, 400, 440, 480, 500, 550V AC

### Ordering information

Type, Auxiliary contact and Coil voltage

### For more information

- Drawings → page 186
- Overload relays → page 87
- Optional accessories → page 110~113

**Certificate**  
CE, ULcUL

## Reversing contactors

- For motor control
- Mechanically interlocked
- Coil voltage : DC

### Screw clamp connection types



Frame size	AC3 ratings (IEC60947-4)				AC1 rating Ith	Auxiliary contact (standard)	Type
	220 ~ 240V	380 ~ 440V	500 ~ 550V	690V			
6A	1.5kW 7A	2.2kW 6A	3kW 5A	3kW 4A	20A	1NO or 1NC	GMD-6MR
9A	2.2kW 9A	4kW 9A	3.7kW 6A	4kW 5A	20A	1NO or 1NC	GMD-9MR
12A	3kW 12A	5.5kW 12A	4kW 7A	4kW 5A	20A	1NO or 1NC	GMD-12MR
16A	4kW 15A	7.5kW 16A	5.5kW 9A	4kW 5A	20A	1NO or 1NC	GMD-16MR

### Fast-on connection types



Frame size	AC3 ratings (IEC60947-4)				AC1 rating Ith	Auxiliary contact (standard)	Type
	220 ~ 240V	380 ~ 440V	500 ~ 550V	690V			
6A	1.5kW 7A	2.2kW 6A	3kW 5A	3kW 4A	20A	1NO or 1NC	GMD-6MFR
9A	2.2kW 9A	4kW 9A	3.7kW 6A	4kW 5A	20A	1NO or 1NC	GMD-9MFR
12A	3kW 12A	5.5kW 12A	4kW 7A	4kW 5A	20A	1NO or 1NC	GMD-12MFR
16A	4kW 15A	7.5kW 16A	5.5kW 9A	4kW 5A	20A	1NO or 1NC	GMD-16MFR

#### Coil voltage, DC

- ① Standard type : 12, 20, 24, 36, 42, 48, 60, 72, 110, 120, 125, 220, 240, 250V DC
- ② Low consumption type : 12, 20, 24, 48, 72, 110, 120V DC(Low)
- ③ Wide Voltage : 12, 20, 24, 48, 72, 110, 12V DC(Wide)

#### Ordering information

Type, Auxiliary contact and Coil voltage

#### For more information

- Drawings → page 86
- Overload relays → page 87
- Optional accessories → page 110~113

**Certificate**  
CE, ULcUL

# Mini contactors, Reversing type

6A ~ 16A / DC coil

## Reversing contactors

- For motor control
- Mechanically interlocked
- Coil voltage : DC



### Cage clamp connection types

Frame size	AC3 ratings (IEC60947-4)				AC1 rating Ith	Auxiliary contact (standard)	Type
	220 ~ 240V	380 ~ 440V	500 ~ 550V	690V			
6A	1.5kW 7A	2.2kW 6A	3kW 5A	3kW 4A	20A	1NO or 1NC	GMD-6MCR
9A	2.2kW 9A	4kW 9A	3.7kW 6A	4kW 5A	20A	1NO or 1NC	GMD-9MCR
12A	3kW 12A	5.5kW 12A	4kW 7A	4kW 5A	20A	1NO or 1NC	GMD-12MCR
16A	4kW 15A	7.5kW 16A	5.5kW 9A	4kW 5A	20A	1NO or 1NC	GMD-16MCR



### Solder pin connection types

Frame size	AC3 ratings (IEC60947-4)				AC1 rating Ith	Auxiliary contact (standard)	Type
	220 ~ 240V	380 ~ 440V	500 ~ 550V	690V			
6A	1.5kW 7A	2.2kW 6A	3kW 5A	3kW 4A	20A	1NO or 1NC	GMD-6MSR
9A	2.2kW 9A	4kW 9A	3.7kW 6A	4kW 5A	20A	1NO or 1NC	GMD-9MSR
12A	3kW 12A	5.5kW 12A	4kW 7A	4kW 5A	20A	1NO or 1NC	GMD-12MSR
16A	4kW 15A	7.5kW 16A	5.5kW 9A	4kW 5A	20A	1NO or 1NC	GMD-16MSR

### Coil voltage, DC

- ① Standard type : 12, 20, 24, 36, 42, 48, 60, 72, 110, 120, 125, 220, 240, 250V DC
- ② Low consumption type : 12, 20, 24, 48, 72, 110, 120V DC(Low)
- ③ Wide Voltage : 12, 20, 24, 48, 72, 110, 12V DC(Wide)

### Ordering information

Type, Auxiliary contact and Coil voltage

### For more information

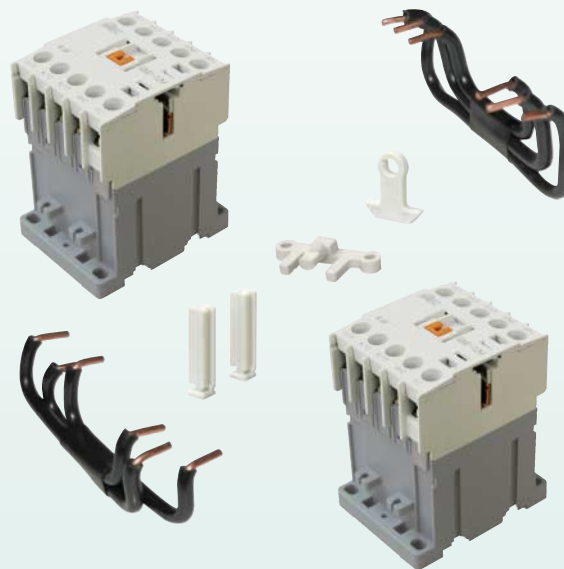
- Drawings → page 186
- Overload relays → page 87
- Optional accessories → page 110~113

**Certificate**  
CE, ULcUL

## Reversing contactors



## Interlock unit, AR-12M



### Consists of

- Mechanical interlock components
- Cable kits for line and load sides



# Mini contactors

## Contactors relays

### Description

- 4-, 6-, 8-pole units
- Finger proof design
- 16A continuous current, Ith
- 44mm wide
- DIN rail or screw mountable
- AC/DC control voltage

### Selection



Poles	Composition	Types		Remarks
		AC control	DC control	
4 pole	4NO 3NO+1NC 2NO+2NC 1NO+3NC 4NC	GMR-4M	GMR-4MD	Additional 2NO or 4NO auxiliary contact block can be mounted on these relays.
6 pole	6NO 5NO+1NC 4NO+2NC 3NO+3NC 2NO+4NC	GMR-6M	GMR-6MD	GMR-4M + AU-2M
8 pole	8NO 7NO+1NC 6NO+2NC 5NO+3NC 4NO+4NC	GMR-8M	GMR-8MD	GMR-4M + AU-4M

### Contact ratings

		Rated currents		Making/Breaking currents	
		Inductive load	Resistive load	Inductive load	Resistive load
AC duty	120V	6A	10A	66A	66A
	240V	3A	8A	33A	33A
	480V	1.5A	5A	16.5A	16.5A
	600V	1.2A	5A	13.2A	13.2A
DC duty	125V	0.55A	5A	3.7A	
	250V	0.27A	3A	1.8A	
	440V	0.31A	2.5A	1.4A	
	600V	0.1A	1A	0.7A	
Continuous current, Ith		10A			

Note) Minimum voltage/current is 24V DC 10mA

### Performance

Operation cycle			1800 operations/hour	
Endurance	Mechanical lifetime		20 mil. Operations	
	Electrical lifetime	AC15 duty	220V	0.5 mil. operations
			440V	0.5 mil. operations
		AC12 duty	220V	0.25 mil. operations
			440V	0.25 mil. operations
DC13, 12 duty		24~220V	0.5 mil. operations	

#### Coil voltage, AC 50/60Hz

24, 36, 42, 48, 110, 115, 120, 127, 200 / 208, 220, 220 / 230, 230 / 240, 256, 277, 380 / 400, 400, 440, 480, 500, 550V AC

#### Coil voltage, DC

See 24 page

#### Ordering information

... Specify type, contact composition and coil voltage

#### For more information

Drawings → page 196  
Coil characteristics → page 24, 26

**Certificate**  
CE, ULcUL

# Digital motor protection relays

## Specification



DMP□-S & DMP□-Sa



DMP□-T & DMP□-Ta



Model No.	DMP06-S/Sa		DMP60-S/Sa	DMP06-T/Ta		DMP60-T/Ta
<b>Wiring</b>	Screw type			Tunnel type		
<b>Panel mount</b>	Unit or Extension <i>Note1)</i>					
<b>Operation time</b>	Select either reverse time characteristics or definite time characteristics					
<b>Protection</b>	<b>Over current</b>	According to the setting time				
	<b>Phase failure</b>	3 sec.				
	<b>Reverse phase</b>	Within 0.1 sec.				
	<b>Asymmetry</b>	5 sec.				
	<b>Stall</b>	5 sec.				
	<b>Lock</b>	Within 0.5 sec.				
	<b>Under current</b>	3 sec.				
	<b>Ground fault</b>	Within 0.05~1 sec. Selectable (0.05~1.0sec)				
	<b>Short circuit <i>Note2)</i></b>	Within 50ms				
<b>Alarm</b>	Variable (60~110% of the setting current)					
<b>Current setting range (A)</b>	0.5~6		5~60	0.5~6		5~60
<b>Motor capacity (kW)</b>	<b>220~240V</b>	0.09~0.75	1.1~11	0.09~0.75	1.1~11	
	<b>380~440V</b>	0.12~1.5	2.2~22	0.09~1.5		2.2~22
<b>Time setting range (sec)</b>	<b>Definite time</b>	<b>Delay in starting</b>	0~60sec			
	<b>Inverse time</b>	<b>Delay in operating</b>	0~30sec			
	<b>Reset</b>		0~60sec			
<b>Tolerance</b>	<b>Current</b>	± 5%				
	<b>Time</b>	± 5% (or ± 0.5sec)				
<b>Operating power <i>Note3)</i></b>	<b>Voltage</b>	AC 190~250V				
	<b>Frequency</b>	60Hz (50Hz)				
<b>Aux. contact</b>	<b>OL</b>	<b>2-SPST</b>	3A/250Vac Resistive load			
	<b>AL</b>	<b>SPST</b>	3A/250Vac Resistive load			
<b>Insulation resistance</b>	Over DC500V 100MΩ					
<b>Surge impulse voltage(IEC1000-4-5)</b>	1.2 × 50μs 6kV (Apply standard wave form)					
<b>Fast transient burst(IEC1000-4-4)</b>	2.5kV/5min					
<b>Environment</b>	<b>Temperature</b>	<b>Operation</b>	-25~70°C			
		<b>Storage</b>	-30~80°C			
	<b>Humidity</b>	30~90% RH (No freezing)				
<b>Display</b>	<b>7-Segment</b>	3 phase current, cause of a fault				
	<b>Bar-Graph</b>	60~110% of real load current				
<b>Mounting type</b>	35mm Din-rail/Panel					

*Note1)* In extension type, the digital EMPR is calibrated with combining the display part and main body so, please cautious not to combine the display part and main body with different part No.

*Note2)* Instantaneous short circuit protection is optional

*Note3)* Operational voltage of AC 110V and 50Hz is optional

# Mini overload relays

## Bimetallic style

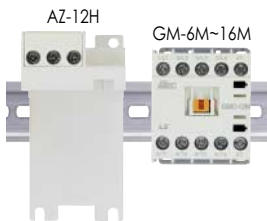


### Description

- Direct mount on the mini contactors with screw clamp connection.  
contactor types : GMC(D)-6M, GMC(D)-9M,  
GMC(D)-12M, GMC(D)-16M,
- DIN rail or screw mountable with the optional base AZ-22H
- Small physical size : 44 mm wide
- 1NO+1NC trip contacts
- Trip class 10A according to IEC60947-4-1
- Differential current/Phase failure protection : GTK types
- Non-differential GTH types are available for the economic solution
- Ambient compensated -5 to 40 °C
- Manual/Automatic reset convertible.
- Remote reset is optional
- Trip free designed



GT-12M



Separate mount

Direct mount



GT-12M

### Catalog No.

Setting ranges(A)	Differential type	Non-differential type	
	3-heater	3-heater	2-heater
0.1 - 0.16	GTK-12M • 0.14	GTH-12M/3 • 0.14	GTH-12M • 0.14
0.16 - 0.25	GTK-12M • 0.21	GTH-12M/3 • 0.21	GTH-12M • 0.21
0.25 - 0.4	GTK-12M • 0.33	GTH-12M/3 • 0.33	GTH-12M • 0.33
0.4 - 0.63	GTK-12M • 0.52	GTH-12M/3 • 0.52	GTH-12M • 0.52
0.63 - 1	GTK-12M • 0.82	GTH-12M/3 • 0.82	GTH-12M • 0.82
1 - 1.6	GTK-12M • 1.3	GTH-12M/3 • 1.3	GTH-12M • 1.3
1.6 - 2.5	GTK-12M • 2.1	GTH-12M/3 • 2.1	GTH-12M • 2.1
2.5 - 4	GTK-12M • 3.3	GTH-12M/3 • 3.3	GTH-12M • 3.3
4 - 6	GTK-12M • 5	GTH-12M/3 • 5	GTH-12M • 5
5 - 8	GTK-12M • 6.5	GTH-12M/3 • 6.5	GTH-12M • 6.5
6 - 9	GTK-12M • 7.5	GTH-12M/3 • 7.5	GTH-12M • 7.5
7 - 10	GTK-12M • 8.5	GTH-12M/3 • 8.5	GTH-12M • 8.5
9 - 13	GTK-12M • 12	GTH-12M/3 • 12	GTH-12M • 12
12 - 16	GTK-12M • 14	GTH-12M/3 • 14	GTH-12M • 14

### Auxiliary (Trip) contact rating

AC15(11) duty			DC13(11) duty	
110V	220V	550V	110V	220V
2.5(0.3)A	2(0.3)A	1(0.3)A	0.28A	0.14A

Note) Values of ( ) are the ratings of NO contact under auto reset mode.

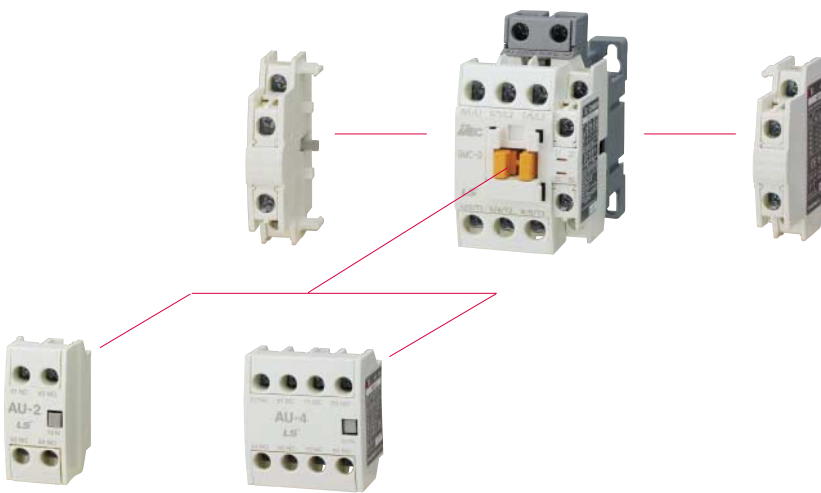
### For more information

- Drawings → page 174
- Mini Contactors → page 24~27
- Starters → page 50
- Separate mounting unit → page 113

**Certificate**  
CE, ULcUL

**Accessories**

<b>Auxiliary contact for mini contactors</b>	110
<b>Timer unit for mini contactors</b>	112
<b>Surge absorber unit for mini contactors</b>	112
<b>Separate mounting unit for mini contactors</b>	112
<b>Interlock unit for mini contactors</b>	113
<b>Solder pin terminals for mini contactors</b>	113
<b>Auxiliary contact</b>	114
<b>Mechanical interlock</b>	116
<b>Mechanical latch unit</b>	117
<b>Terminal cover unit</b>	117
<b>Insulation barrier unit</b>	118
<b>Surge absorber unit</b>	118
<b>Delayed opening device</b>	119
<b>Lug terminals for Contactors</b>	119
<b>Separate mounting unit</b>	119
<b>Current transformer</b>	120



# Accessories for mini contactors

## Auxiliary contact

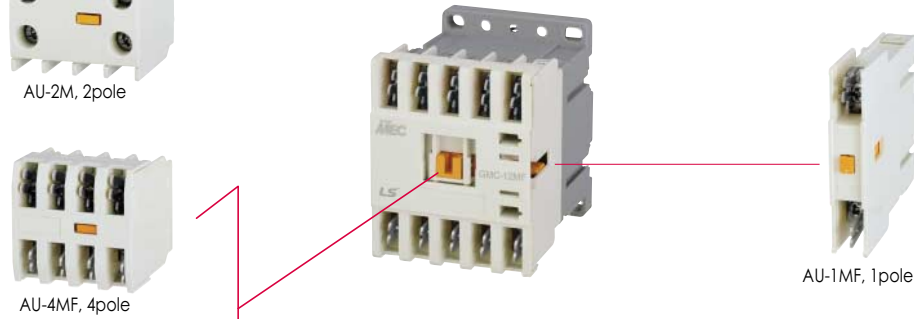
### Front mount blocks

### Side mount blocks

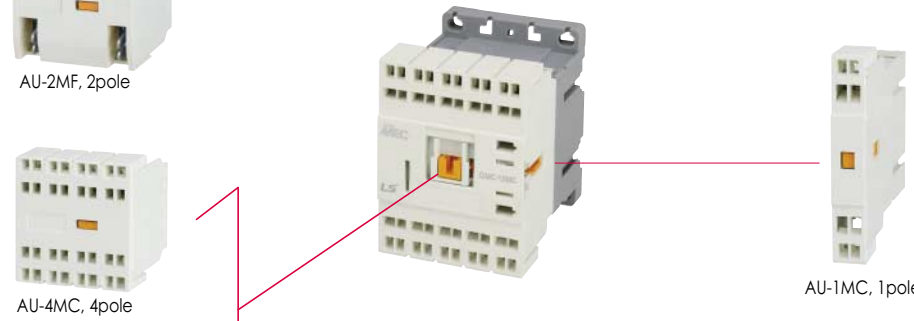
#### Screw clamp connection



#### Fast-on connection



#### Cage clamp connection



#### Solder pin connection



### Catalog No.

Connection type	Applying contactors	Mounting type	Composition	Catalog no.			
<b>Screw clamp</b>	GMC-, GMD-, GMS- 6M, 6MR 9M, 9MR 12M, 12MR 16M, 16MR	Front mount	2NO	AU-2M20			
			2NC	AU-2M02			
			1NO+1NC	AU-2M11			
			4NO	AU-4M40			
			3NO+1NC	AU-4M31			
			2NO+2NC	AU-4M22			
			1NO+3NC	AU-4M13			
			4NC	AU-4M04			
		Side mount	1NO	AU-1M10			
			1NC	AU-1M01			
			<b>Fast-on</b>	GMC-, GMD-, GMS- 6MF, 6MRF 9MF, 9MRF 12MF, 12MRF 16MF, 16MRF	Front mount	2NO	AU-2MF20
						2NC	AU-2MF02
						1NO+1NC	AU-2MF11
						4NO	AU-4MF40
3NO+1NC	AU-4MF31						
2NO+2NC	AU-4MF22						
1NO+3NC	AU-4MF13						
4NC	AU-4MF04						
Side mount	1NO	AU-1MF10					
	1NC	AU-1MF01					
	<b>Cage clamp</b>	GMC-, GMD-, GMS- 6MC, 6MRC 9MC, 9MRC 12MC, 12MRC 16MC, 16MRC			Front mount	2NO	AU-2MC20
						2NC	AU-2MC02
						1NO+1NC	AU-2MC11
						4NO	AU-4MC40
3NO+1NC			AU-4MC31				
2NO+2NC			AU-4MC22				
1NO+3NC			AU-4MC13				
4NC			AU-4MC04				
Side mount			1NO	AU-1MC10			
			1NC	AU-1MC01			
			<b>Solder pin</b>	GMC-, GMD-, GMS- 6MP, 6MRP 9MP, 9MRP 12MP, 12MRP 16MP, 16MRP	Side mount	1NO	AU-1MP10
						1NC	AU-1MP01

# Accessories for mini contactors

## Timer unit, AT-12M

- Electronic type
- ON/OFF time delay
- Front mount

Timer unit



Surge absorber unit



## Electronic Timer

Type	Control voltage	Delay	Time	Applied contactors
AT-12M / IN	AC/DC 24~48V	ON	0.1~30s	GMC-6M~16M GMD-6M~16M
AT-12M / IF	AC/DC 24~48V	OFF	0.1~30s	GMC-6M~16M GMD-6M~16M
AT-12M / 2N	AC 100~220V	ON	0.1~30s	GMC-6M~16M GMD-6M~16M
AT-12M / 2F	AC 100~220V	OFF	0.1~30s	GMC-6M~16M GMD-6M~16M

## Surge absorber unit, AS-12M

- Coil surge suppressor

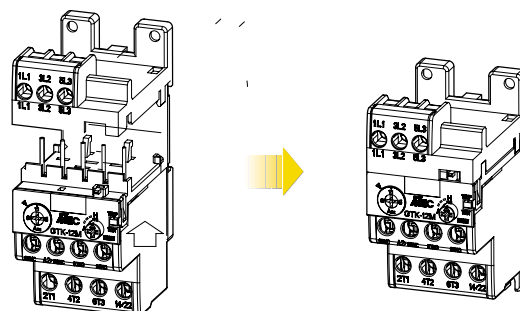


## Surge absorber unit

Type	Internal element	Operational voltage	Applied contactors
AS-12M / 1	Varistor	AC24~48V	GMC-6M~16M
AS-12M / 2		AC60~127V	
AS-12M / 3		AC200~240V	
AS-12M / 4		DC12~24V	GMD-6M~16M
AS-12M / 5		DC30~72V	
AS-12M / 6		DC100~127V	
AS-12M / 7		DC200~250V	

## Separate mounting unit, AZ-12MH

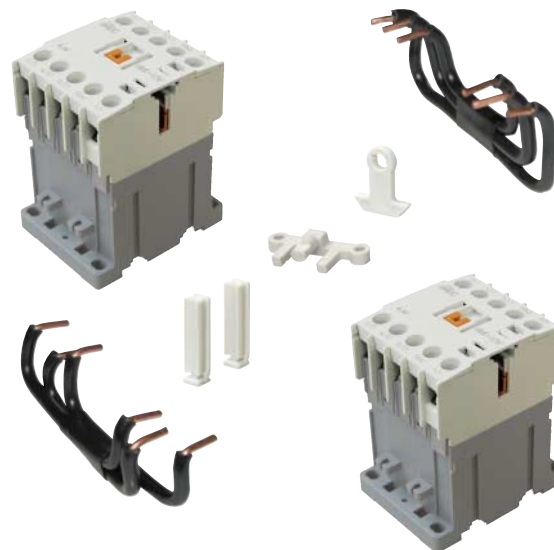
- To mount a relay separately from a contactor
- Mountable on DIN rail or by screw fixing



## Interlock unit, AR-12M

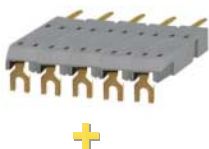
### consists of

- Mechanical interlock components
- Cable kits for line and load sides



## Solder pin terminals

To modify the connection to Solder pin type from Screw clamp type  
Available for contactors and auxiliary contact blocks



DC Control



AC Control





## Coil characteristics for GMR series

### AC coil (AC 220V, 60Hz)

Type		Coil consumption (VA)		Thermal dissipation (W)	Operation voltage (V)		Operation time (ms)			
		Inrush	Holding		Pick-up	Drop-out	Coil ON → NO contact ON	Coil ON → NC contact OFF	Coil OFF → NO contact OFF	Coil OFF → NC contact ON
GMR - 4	4NO	95	9	2	141~156	105~125	10~17	-	7~13	-
	2NO2NC				138~148	110~130	8~15	6~15	7~13	8~15
GMR - 6	6NO				145~160	100~120	10~17	-	7~13	-
	3NO3NC				140~155	105~125	10~16	5~13	7~13	8~15
GMR - 6	8NO				150~160	90~110	10~18	-	7~13	-
	4NO4NC				148~158	95~115	10~16	5~13	7~13	8~15

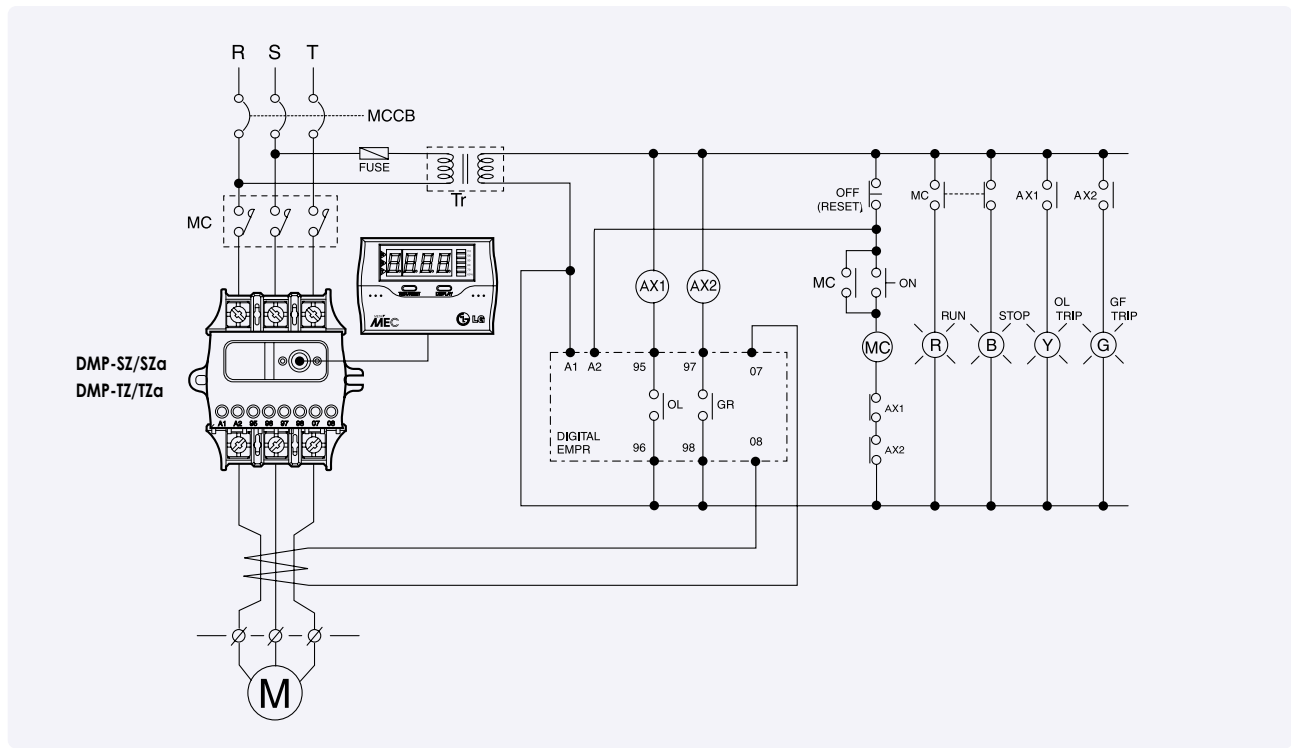
### DC coil (DC 110V)

Type		Coil consumption (VA)		Thermal dissipation (W)	Operation voltage (V)		Operation time (ms)			
		Inrush	Holding		Pick-up	Drop-out	Coil ON → NO contact ON	Coil ON → NC contact OFF	Coil OFF → NO contact OFF	Coil OFF → NC contact ON
GMR - 4D	4NO	9	9	50	65~75	15~35	45~55	-	7~13	-
	2NO2NC				63~73	18~38	40~50	20~30	7~13	13~19
GMR - 6D	6NO				68~78	15~35	45~55	-	7~13	-
	3NO3NC				63~73	18~38	40~50	20~30	7~13	8~15
GMR - 6D	8NO				70~80	15~35	45~55	-	7~13	-
	4NO4NC				63~73	18~38	40~50	20~30	7~13	13~19

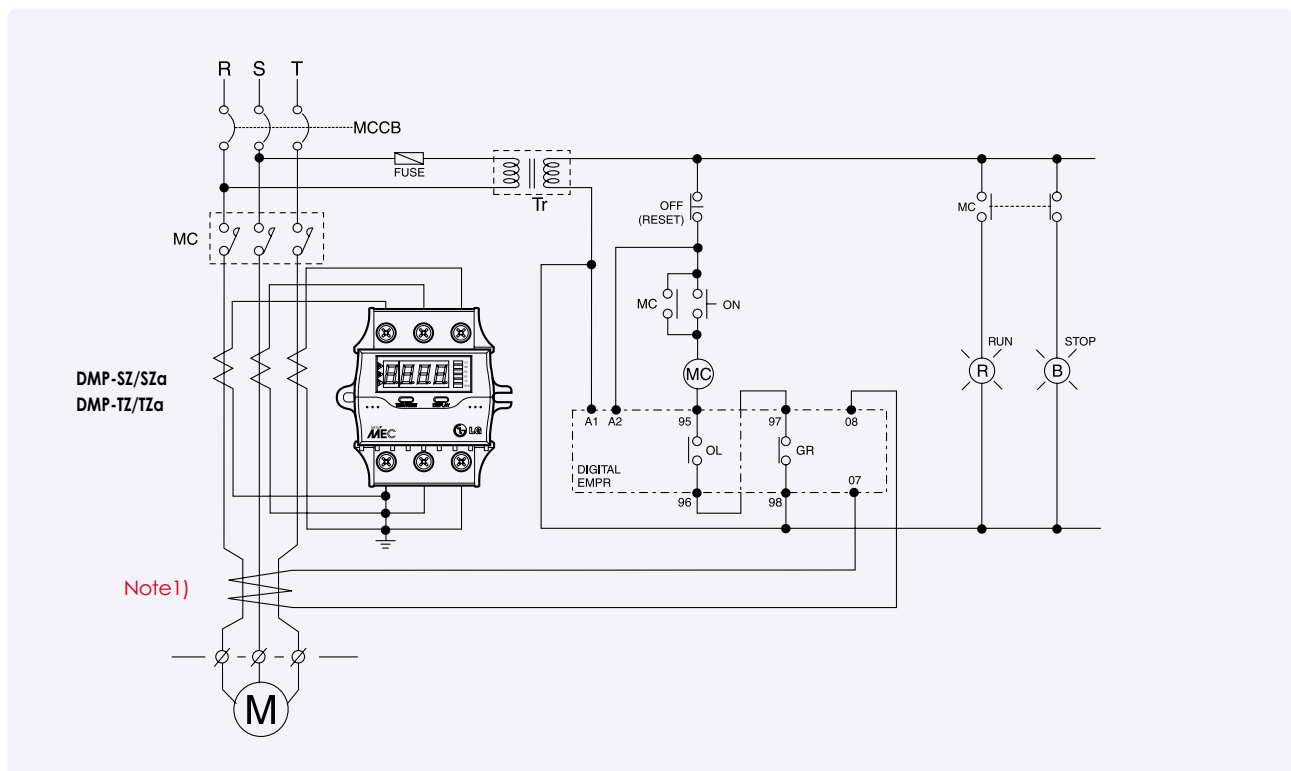
# Technical information

## Wiring method

### Wiring method



### External CT combination



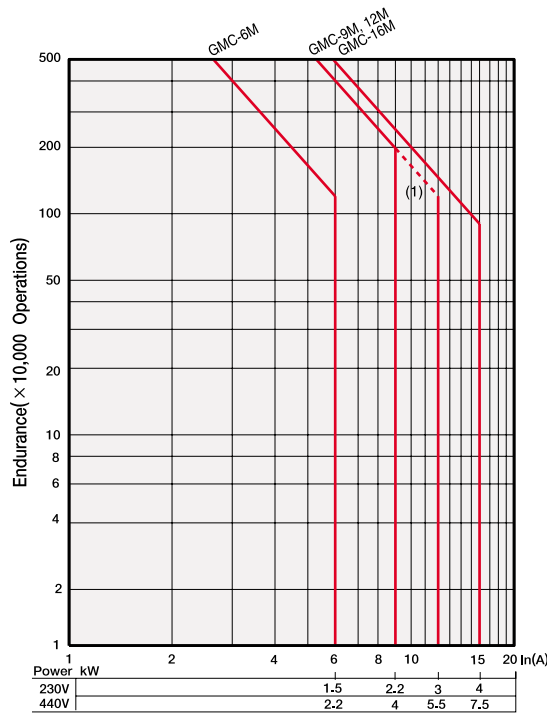
Note1)

Note1) Please turn off to page for zero-phase sequence current transformer.

## Electrical lifespan of contactors

Use in category AC-3

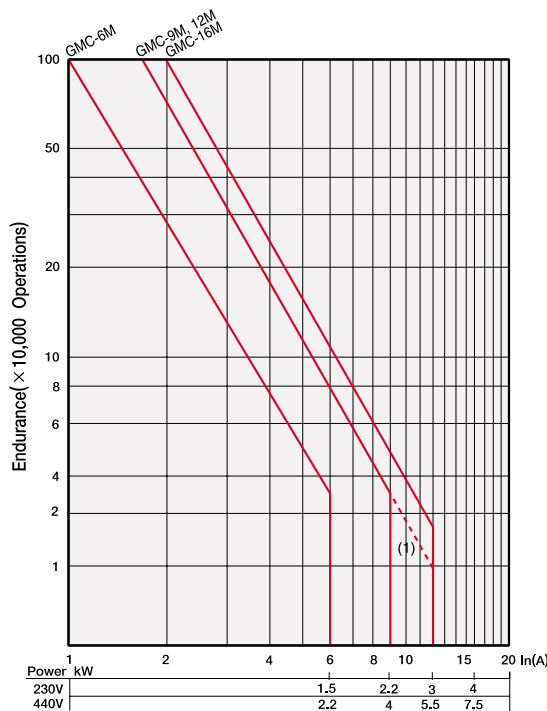
( $U_e \geq 440V$ )



(1) The dotted lines are only applicable to GMC-12M contactors.

Use in category AC-4

( $U_e \geq 440V$ )



(1) The dotted lines are only applicable to GMC-12M contactors.

**Dimensions**



Mini contactors(Screw clamp type)	160
Mini contactors(Solder pin type)	161
Mini contactors(Fast-on type)	162
Mini contactors(Cage clamp type)	163
Mini contactors with Auxiliary contacts	164
Mini contactors with external contacts	166
3-pole Contactors / AC coil	167
3-pole Contactors / DC coil	168
3-pole Contactors / AC coil	169
4-pole Contactors / AC coil	171
4-pole Contactors / DC coil	172
4-pole Contactors / AC coil	173



Thermal overload relays for Mini contactors	174
Thermal overload relays(Class 10A)	175
Thermal overload relays (Class 20)	178
Mini motor starters, open	180
Motor starters, open	181
Enclosed motor starters	183
Enclosed motor starters with push buttons	184
Mini contactors, Reversing type	186
Reversing contactors , 3-pole	190
Reversing contactors , 4-pole	192
Latching contactors	194
Mini contactor relays	196
Contactor relays, AC coil	200
Contactor relays, DC coil	201

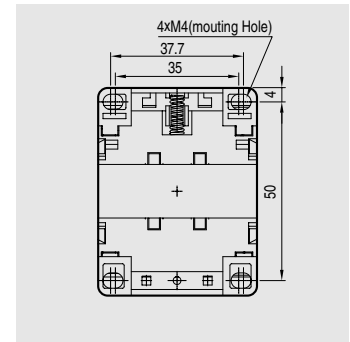
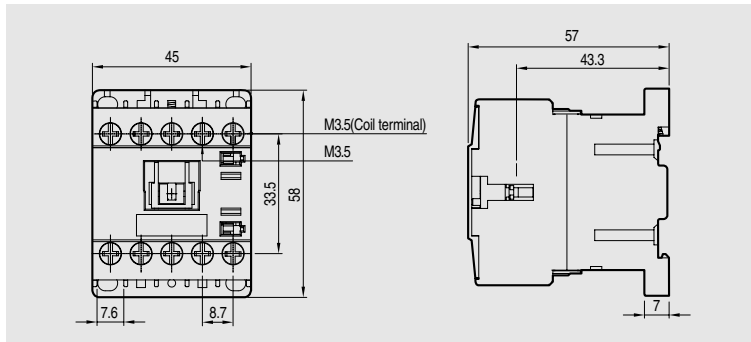


2-pole AC Contactors	202
2-pole DC Contactors	203
Accessories Mini for contact	204
Auxiliary contact blocks, front mount	205
Delayed opening devices	206
Separate mounting units for overload relays	207
Capacitor contactors	208
Electronic overload relays	209
Digital motor protection relay	212
Catalogue numbers index	214

# Dimensions

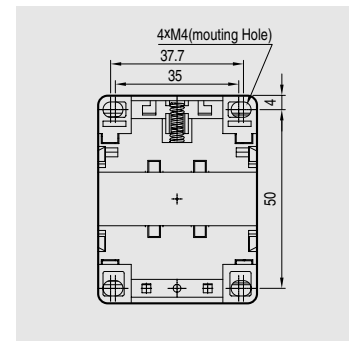
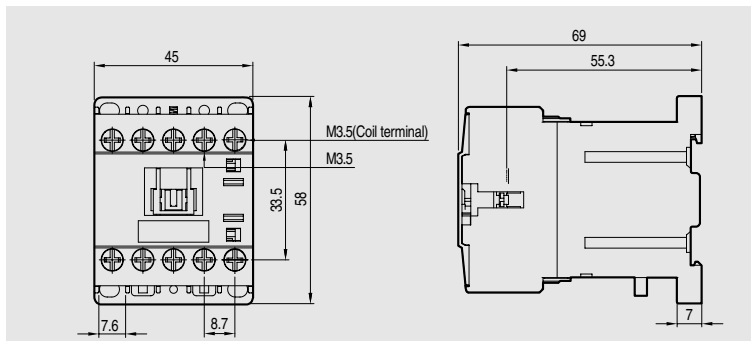
## Mini contactors (Screw clamp type)

- GMC-6M
- GMC-9M
- GMC-12M
- GMC-16M
- GMC-6M/4
- GMC-9M/4
- GMC-12M/4
- GMC-16M/4



0.17kg

- GMD-6M
- GMD-9M
- GMD-12M
- GMD-16M
- GMD-6M/4
- GMD-9M/4
- GMD-12M/4
- GMD-16M/4

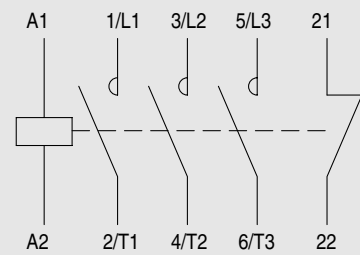
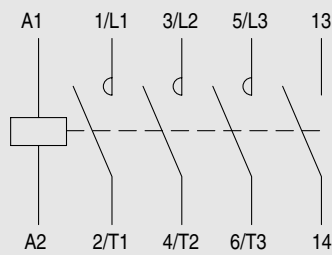


0.23kg

### Circuit diagram

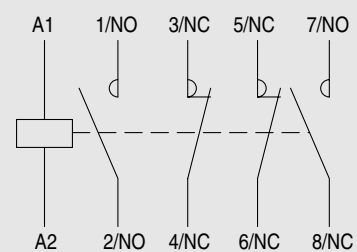
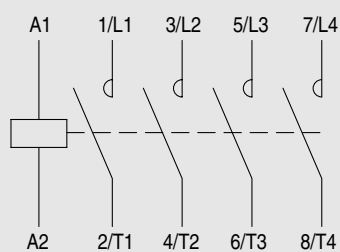
#### GMC-6M~16M, GMD-6M~16M

##### 3-Pole contactors



#### GMC-6M/4~16M/4, GMD-6M/4~16M/4

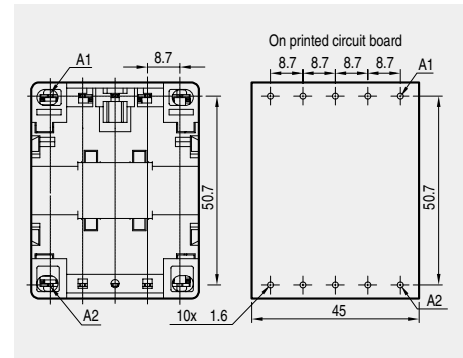
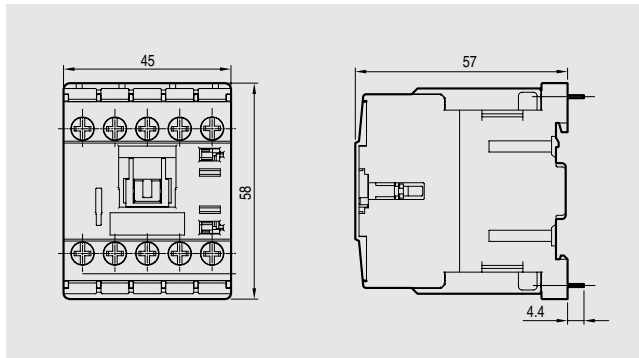
##### 4-Pole contactors



# Mini contactors (Solder pin type)

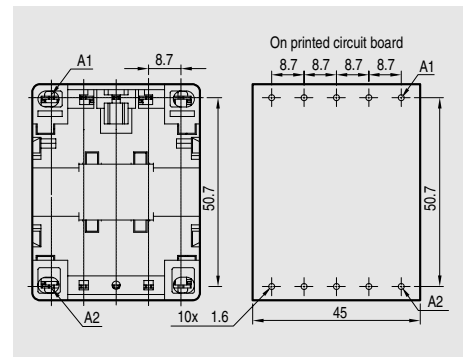
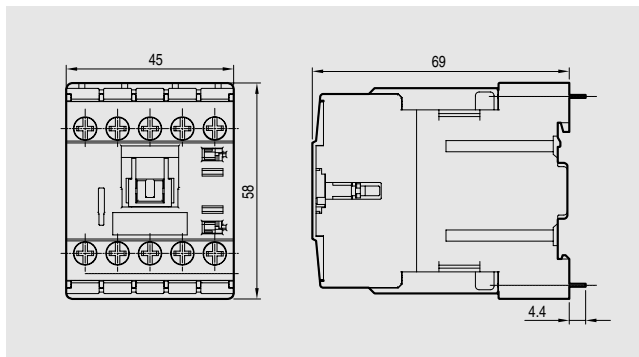


- GMC-6MP
- GMC-9MP
- GMC-12MP
- GMC-16MP
- GMC-6MP/4
- GMC-9MP/4
- GMC-12MP/4
- GMC-16MP/4



0.17kg

- GMD-6MP
- GMD-9MP
- GMD-12MP
- GMD-16MP
- GMD-6MP/4
- GMD-9MP/4
- GMD-12MP/4
- GMD-16MP/4

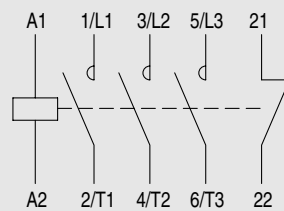
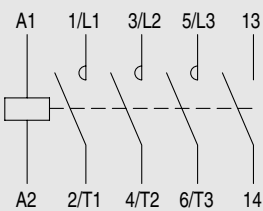


0.23kg

## Circuit diagram

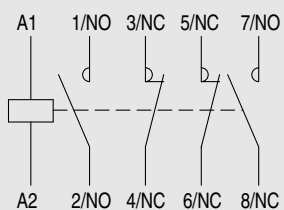
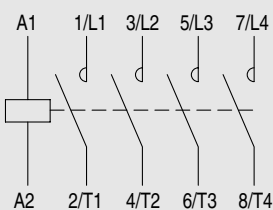
### GMC-6MP~16MP, GMD-6MP~16MP

3-Pole contactors



### GMC-6MP/4~16MP/4, GMD-6MP/4~16MP/4

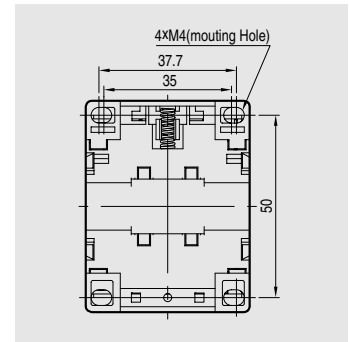
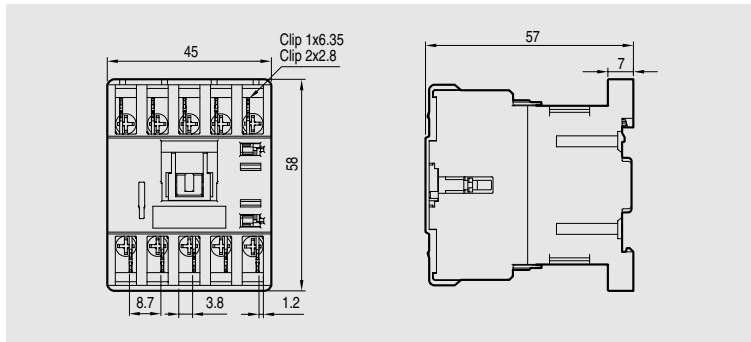
4-Pole contactors



# Dimensions

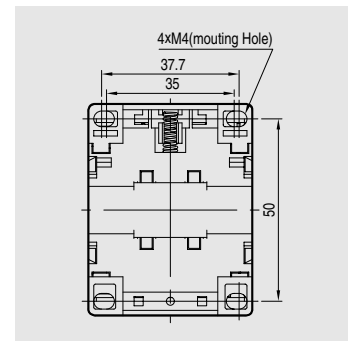
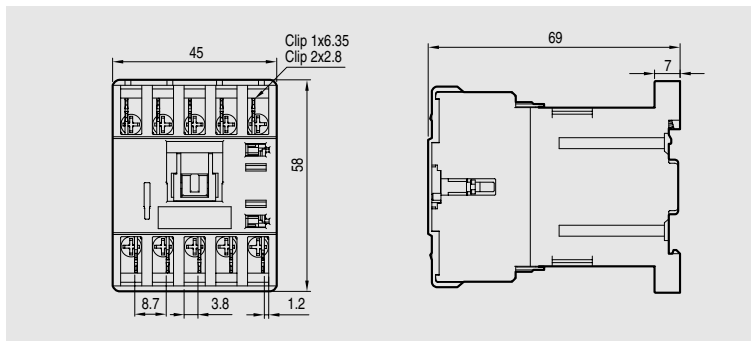
## Mini contactors (Fast-on type)

- GMC-6MF
- GMC-9MF
- GMC-12MF
- GMC-16MF
- GMC-6MF/4
- GMC-9MF/4
- GMC-12MF/4
- GMC-16MF/4



0.18kg

- GMD-6MF
- GMD-9MF
- GMD-12MF
- GMD-16MF
- GMD-6MF/4
- GMD-9MF/4
- GMD-12MF/4
- GMD-16MF/4

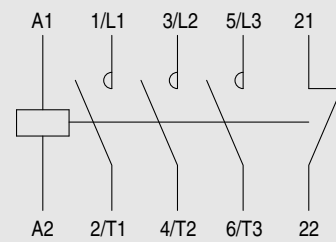
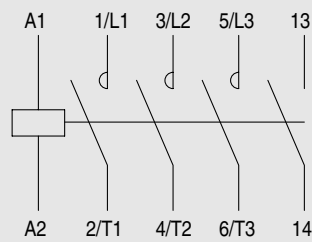


0.27kg

## Circuit diagram

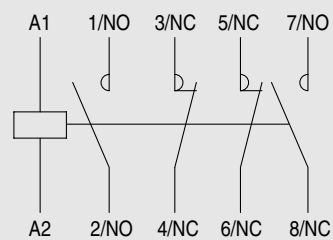
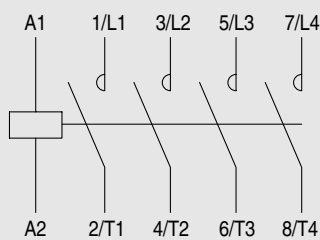
### GMC-6MF~16MF, GMD-6MF~16MF

#### 3-Pole contactors



### GMC-6MF/4~16MF/4, GMD-6MF/4~16MF/4

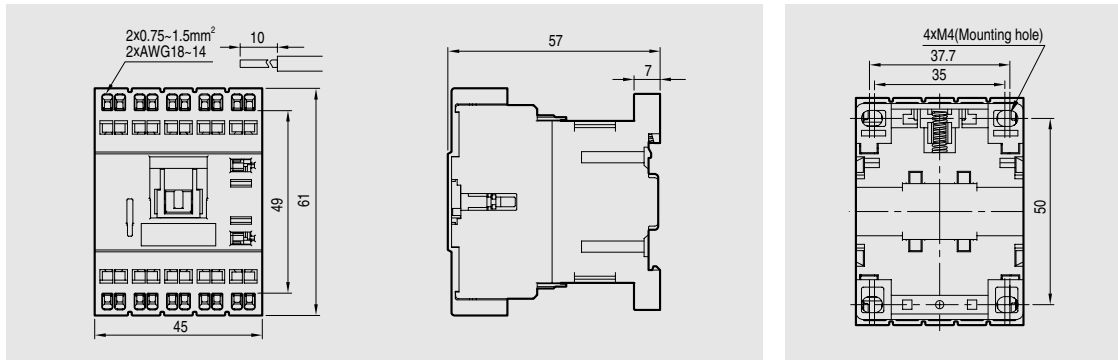
#### 4-Pole contactors



# Mini contactors (Cage clamp type)

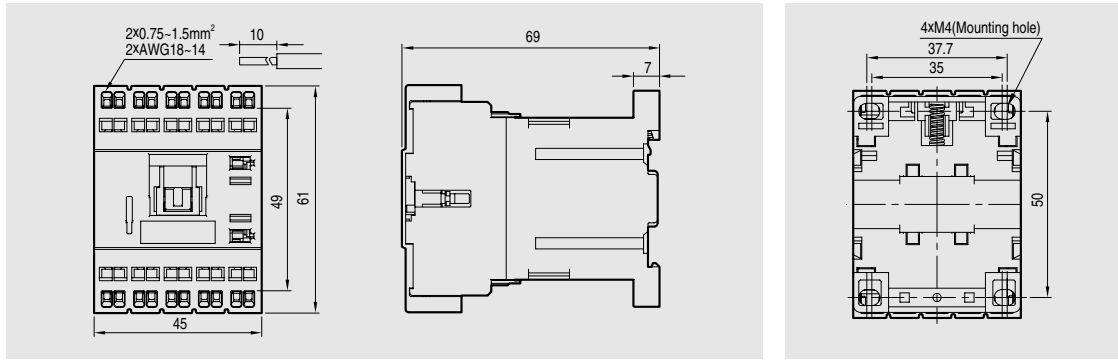


- GMC-6MC
- GMC-9MC
- GMC-12MC
- GMC-16MC
- GMC-6MC/4
- GMC-9MC/4
- GMC-12MC/4
- GMC-16MC/4



0.19kg

- GMD-6MC
- GMD-9MC
- GMD-12MC
- GMD-16MC
- GMD-6MC/4
- GMD-9MC/4
- GMD-12MC/4
- GMD-16MC/4

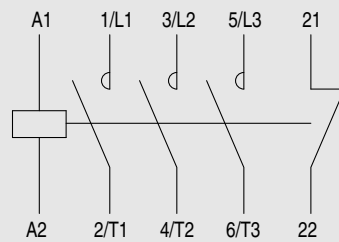
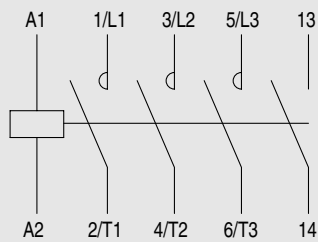


0.28kg

## Circuit diagram

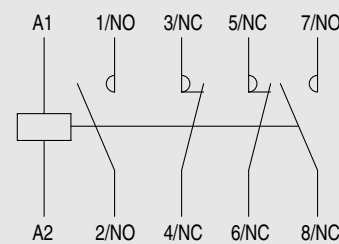
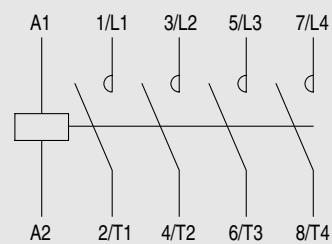
### GMC-6MC~16MC, GMD-6MC~16MC

3-Pole contactors



### GMC-6MC/4~16MC/4, GMD-6MC/4~16MC/4

4-Pole contactors

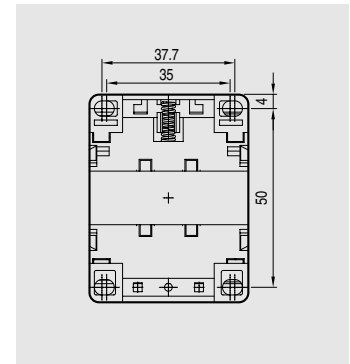
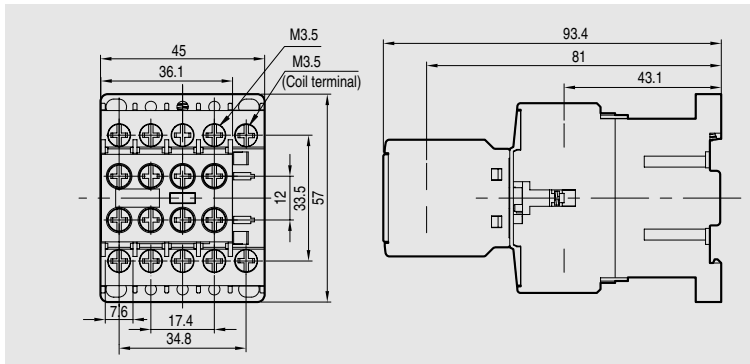




# Dimensions

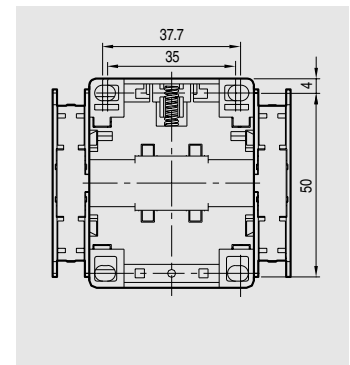
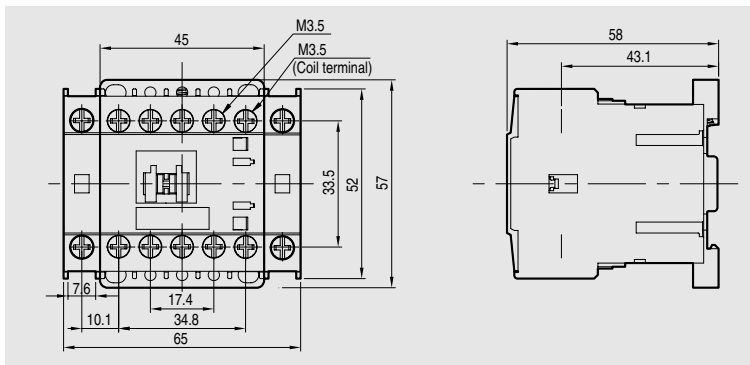
## Mini contactors with Auxiliary contacts

- GMC-6M
- GMC-9M
- GMC-12M
- GMC-16M
- +
- AU-4M



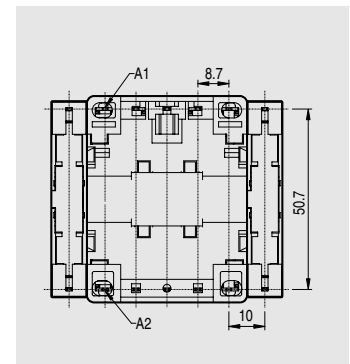
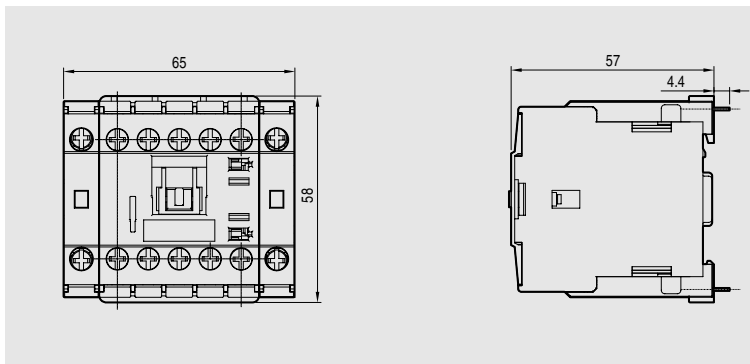
0.21kg

- GMC-6M
- GMC-9M
- GMC-12M
- GMC-16M
- +
- 2 × AU-1M

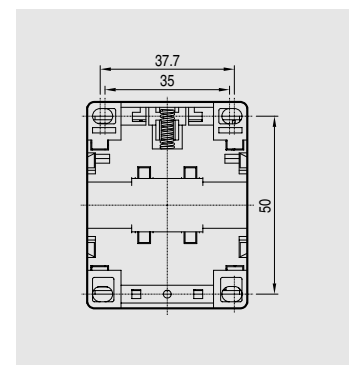
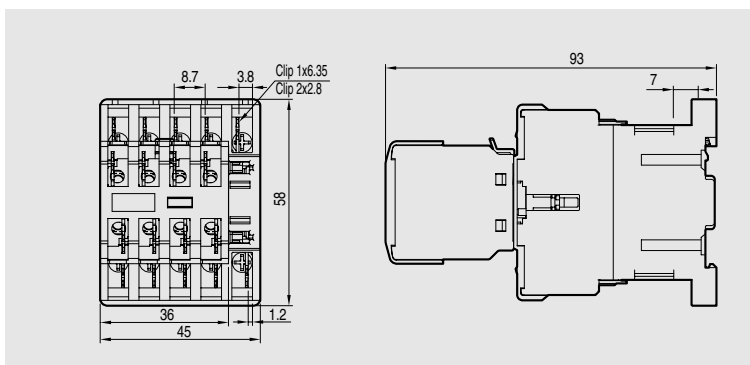


0.21kg

- GMC-6MP
- GMC-9MP
- GMC-12MP
- GMC-16MP
- +
- 2 × AU-1MP

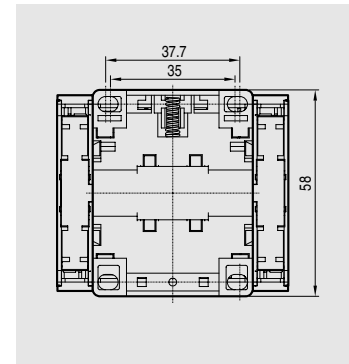
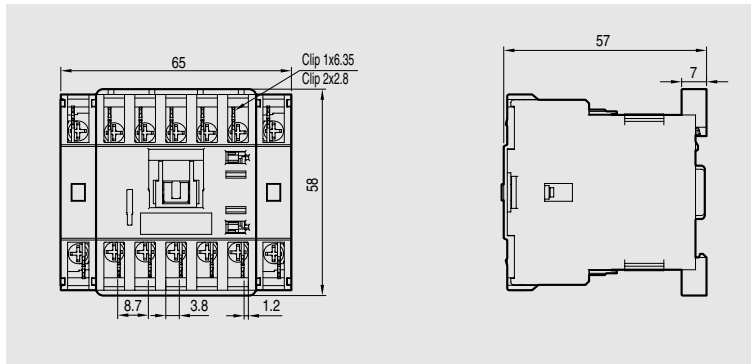


- GMC-6MF
- GMC-9MF
- GMC-12MF
- GMC-16MF
- +
- AU-4MF



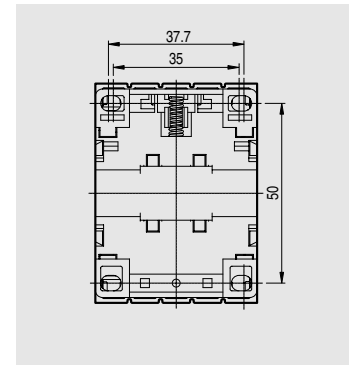
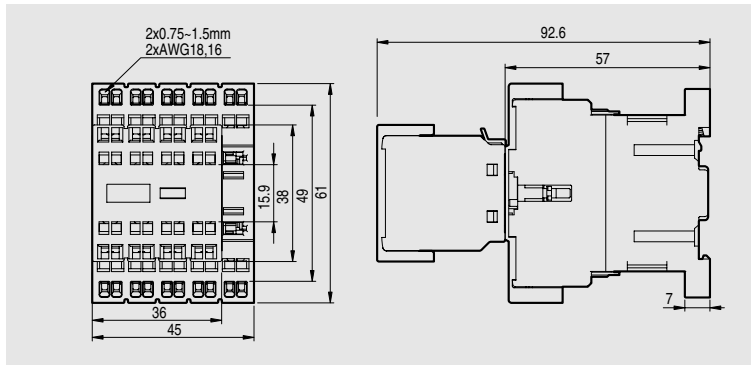
0.23kg

- GMC-6MF
- GMC-9MF
- GMC-12MF
- GMC-16MF
- +
- 2 × AU-1MF



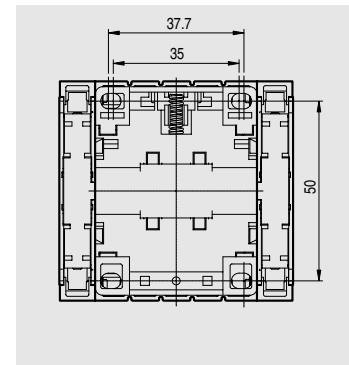
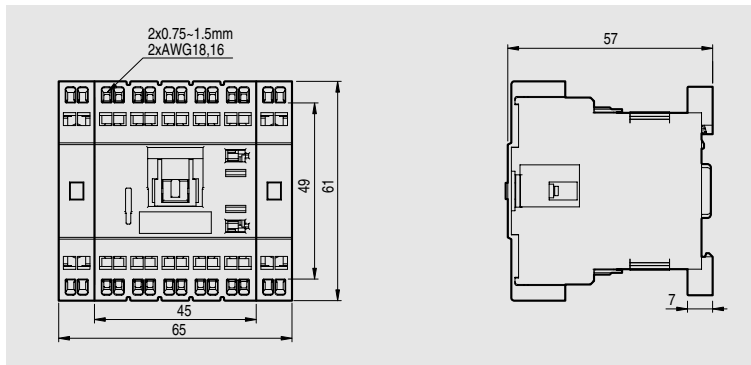
0.32kg

- GMC-6MC
- GMC-9MC
- GMC-12MC
- GMC-16MC
- +
- AU-4MC



0.24kg

- GMC-6MC
- GMC-9MC
- GMC-12MC
- GMC-16MC
- +
- 2 × AU-1MC

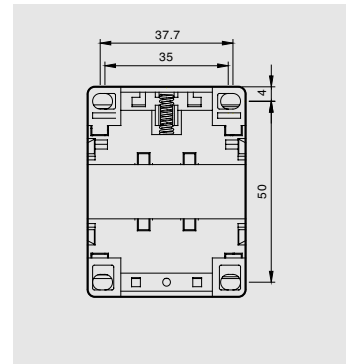
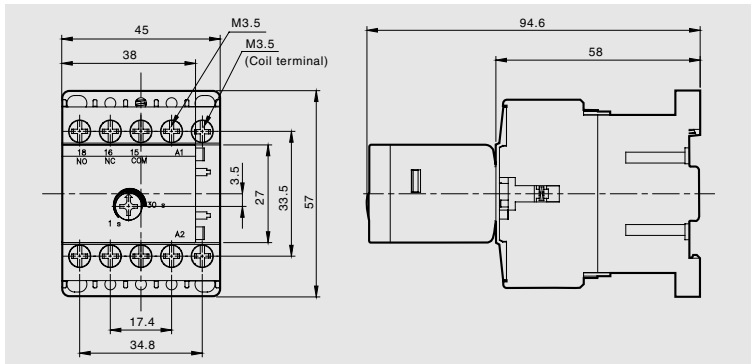


0.23kg

# Dimensions

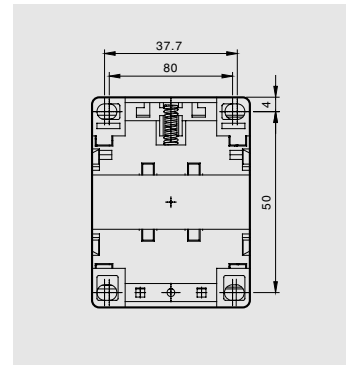
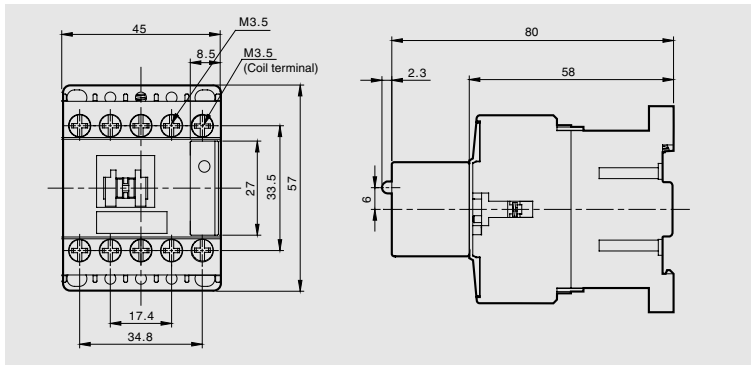
## Mini contactors with external accessories

- GMC-6M
- GMC-9M
- GMC-12M
- GMC-16M
- +
- AT-12M



0.21kg

- GMD-6M
- GMD-9M
- GMD-12M
- GMD-16M
- +
- AS-12M

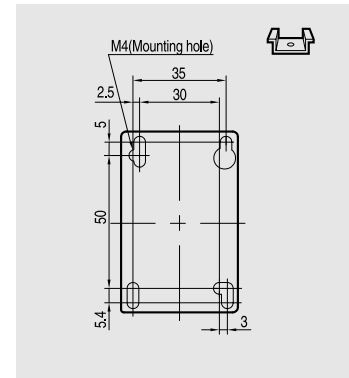
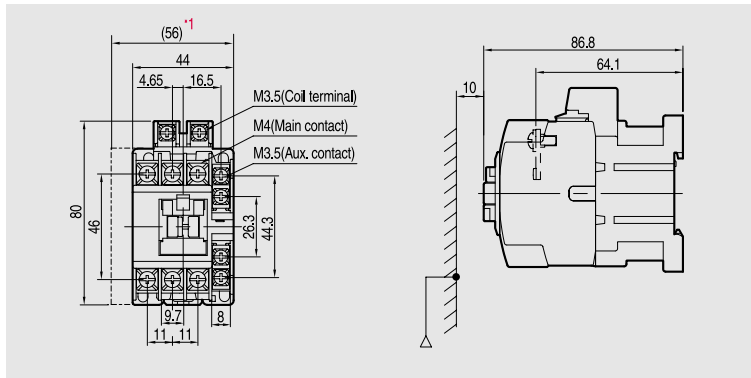


0.175kg

# 3-pole Contactors / AC coil



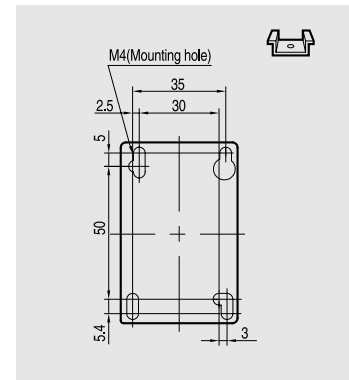
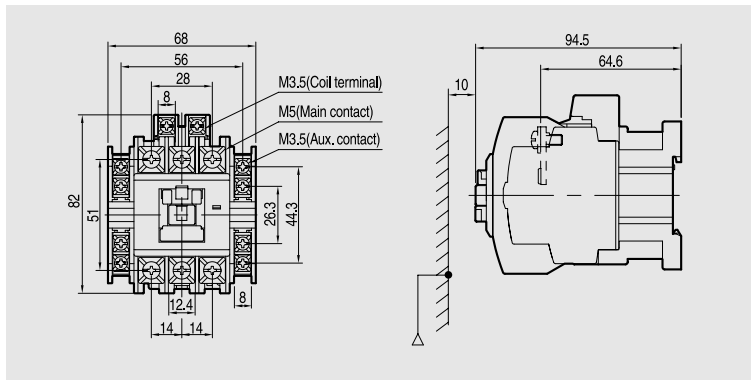
- GMC-9
- GMC-12
- GMC-18
- GMC-22



\* 1 : Optional auxiliary contact unit ( side mount type )

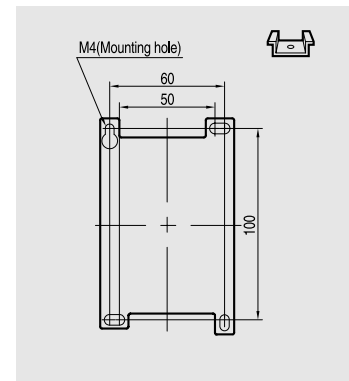
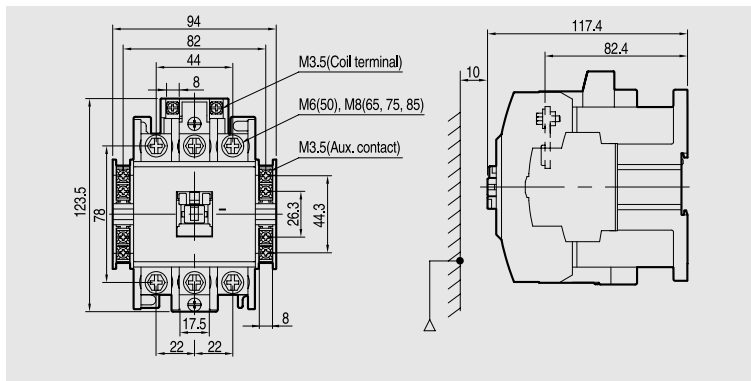
GMC-9,12:0.33kg  
GMC-18,22:0.37kg

- GMC-32
- GMC-40



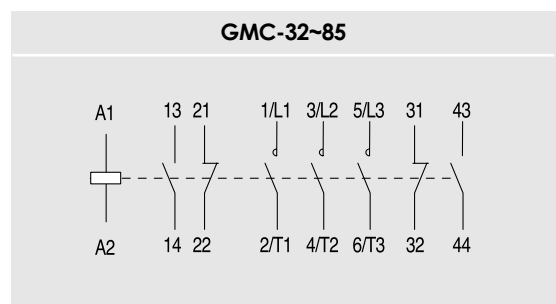
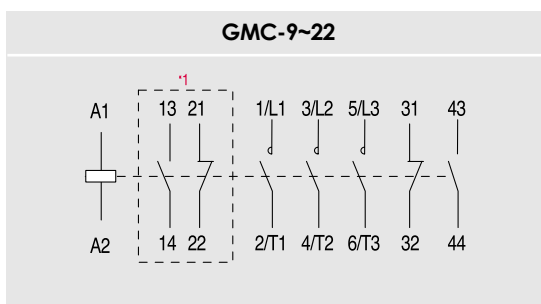
0.45kg

- GMC-50
- GMC-65
- GMC-75
- GMC-85



1kg

## Circuit diagram



\* 1 : Optional auxiliary contact unit

# Dimensions

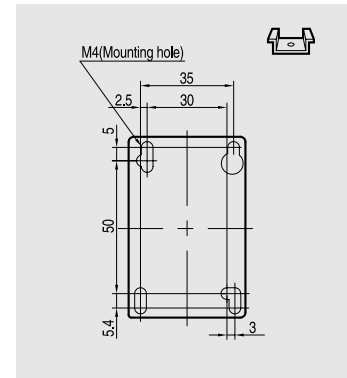
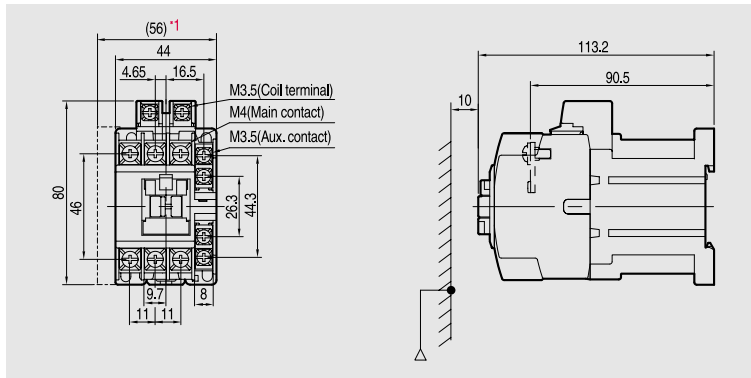
## 3-pole Contactors / DC coil

GMD-9

GMD-12

GMD-18

GMD-22

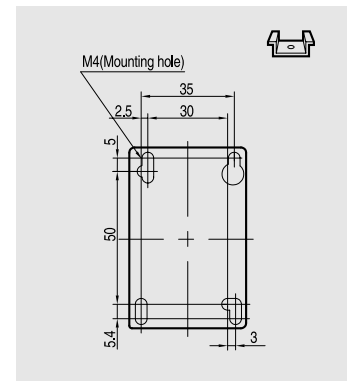
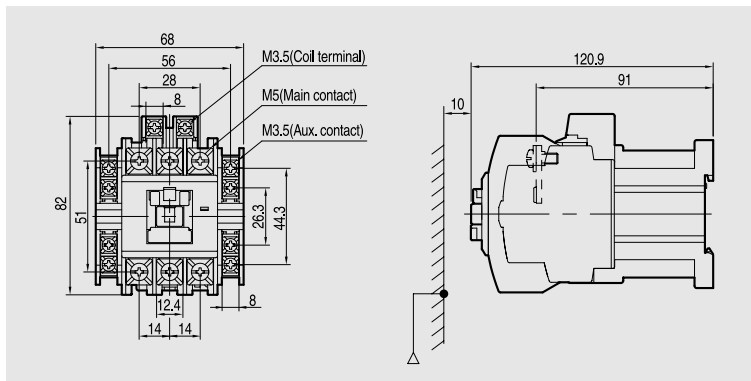


\* 1 : Optional auxiliary contact unit ( side mount type )

GMD-9,12:0.55kg  
GMD-18,22:0.59kg

GMD-32

GMD-40



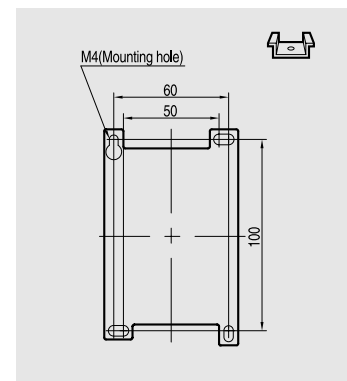
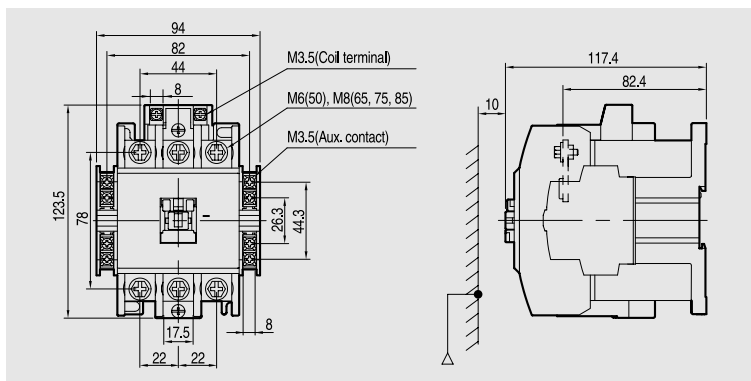
0.67kg

GMD-50

GMD-65

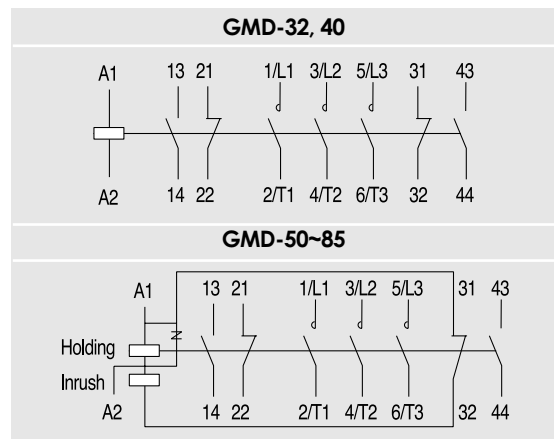
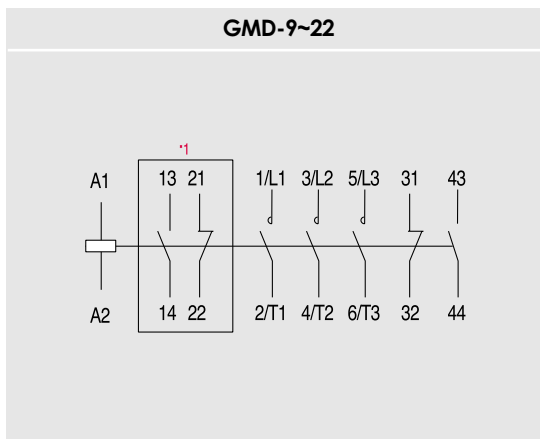
GMD-75

GMD-85



1.06kg

### Circuit diagram

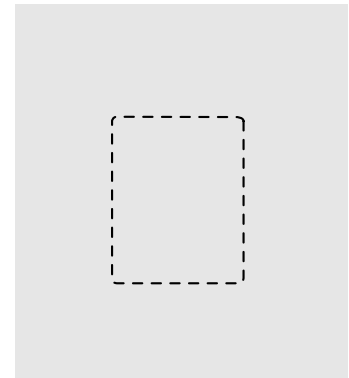
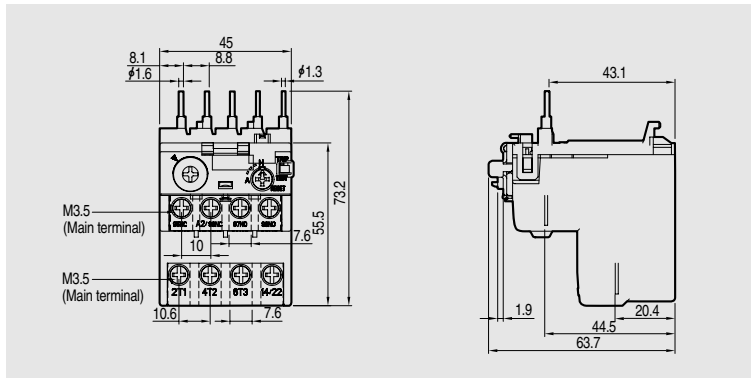


\* 1 : Optional auxiliary contact unit

# Dimensions

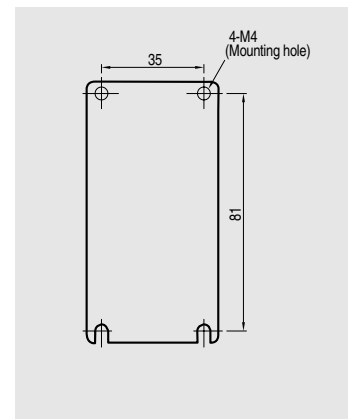
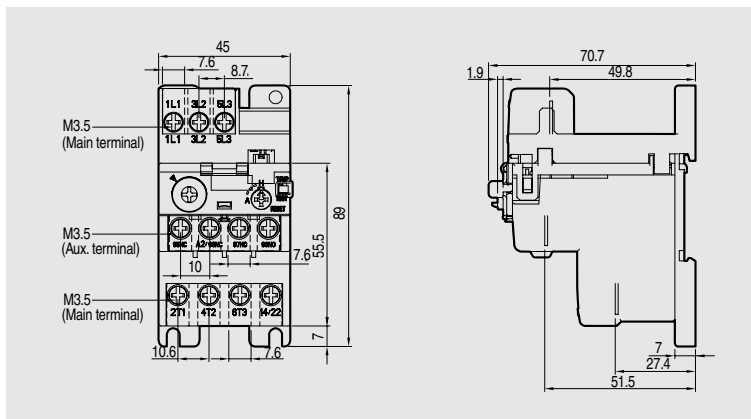
## Thermal overload relays for Mini contactors

**GTH(K)-12M**



0.1kg

**GTH(K)-12MH**



0.4kg

# Dimensions

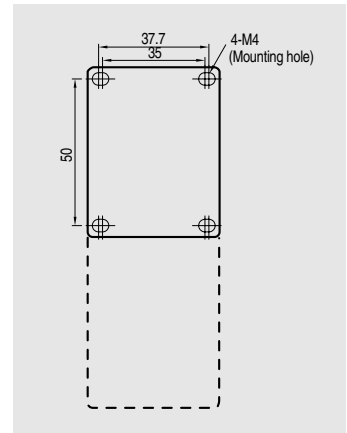
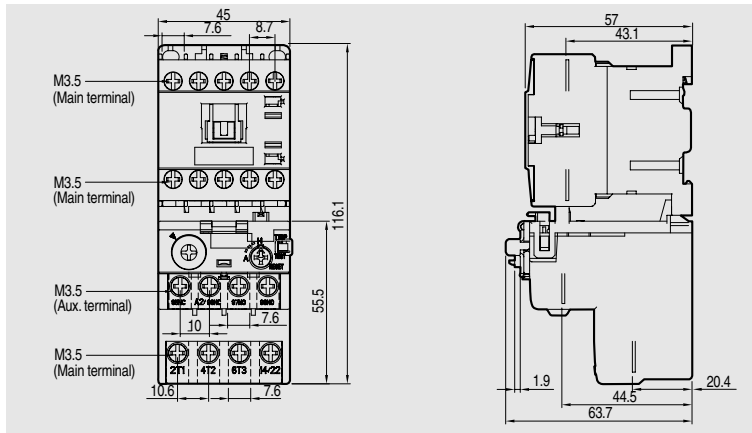
## Mini motor starters, open

GMS-6M

GMS-9M

GMS-12M

GMS-16M



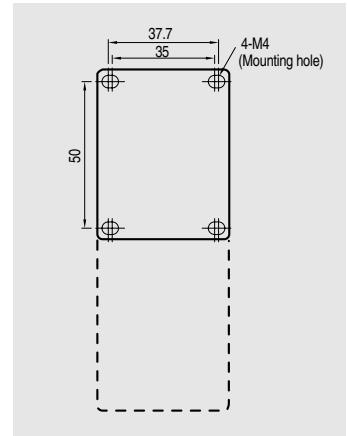
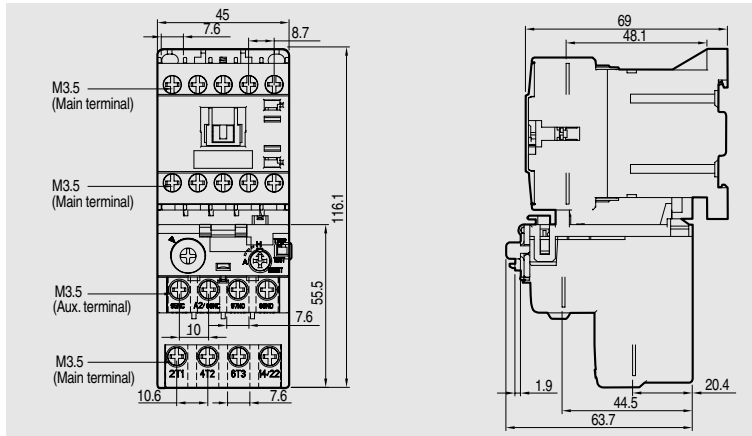
0.26kg

GMS-6MD

GMS-9MD

GMS-12MD

GMS-16MD

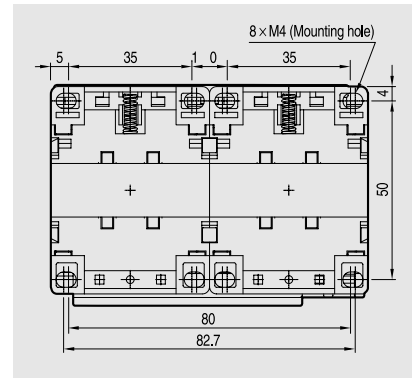
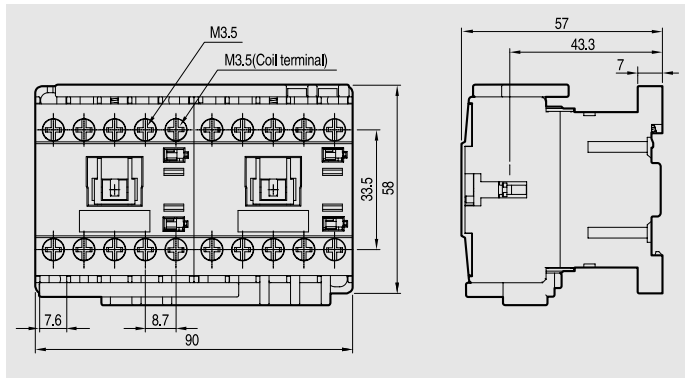


0.39kg

# Dimensions

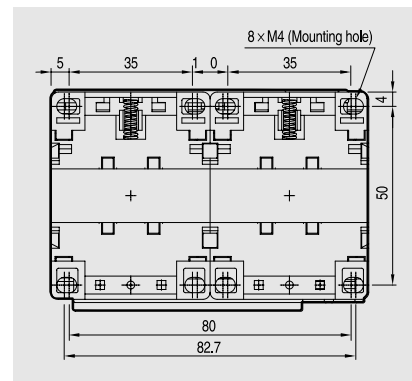
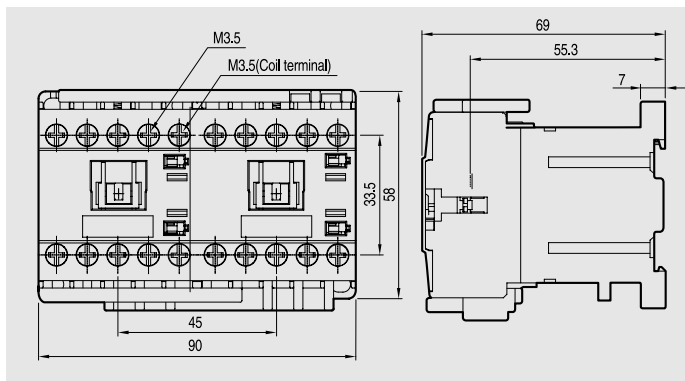
## Mini contactors, Reversing type

- GMC-6MR
- GMC-9MR
- GMC-12MR
- GMC-16MR
- GMC-6MR/4
- GMC-9MR/4
- GMC-12MR/4
- GMC-16MR/4



Weight: 0.36kg

- GMD-6MR
- GMD-9MR
- GMD-12MR
- GMD-16MR
- GMD-6MR/4
- GMD-9MR/4
- GMD-12MR/4
- GMD-16MR/4

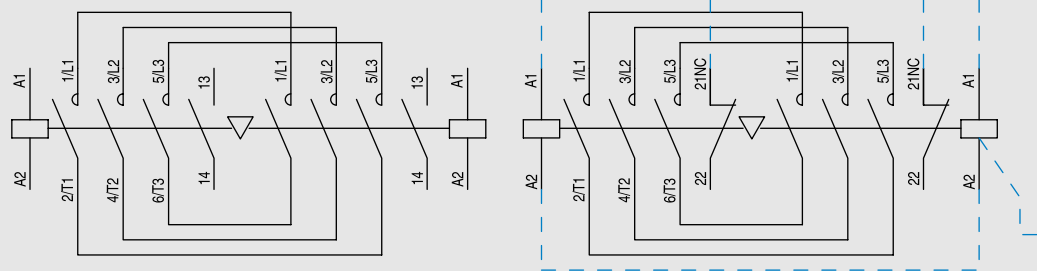


Weight: 0.48kg

### Circuit diagram

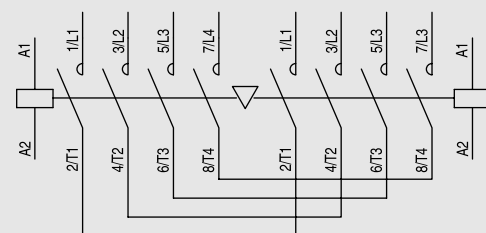
#### GMC-6MR~16MR, GMD-6MR~16MR

3-Pole contactors



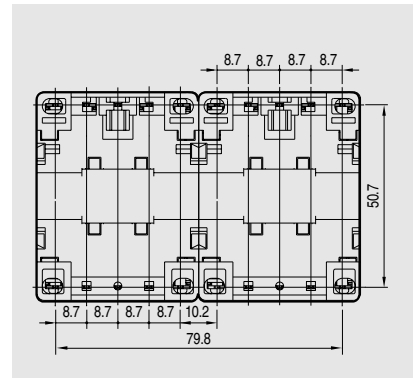
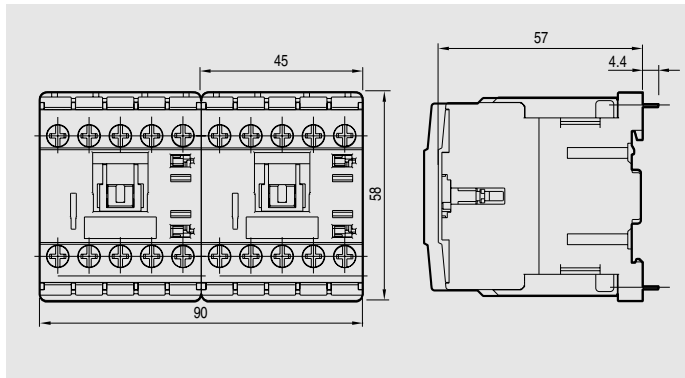
#### GMC-6MR/4~16MR/4, GMD-6MR/4~16MR/4

4-Pole contactors



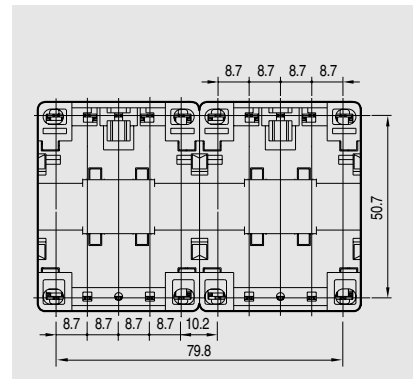
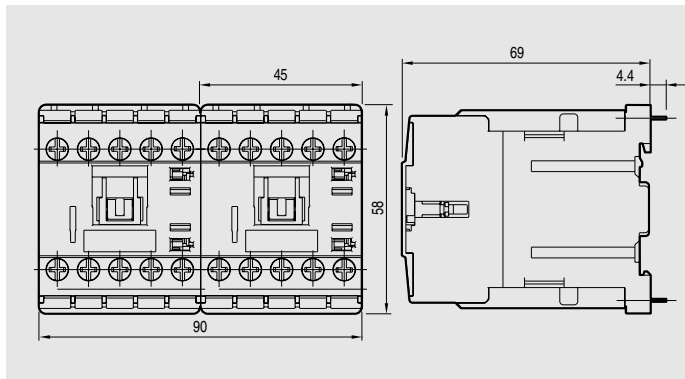


- GMC-6MPR
- GMC-9MPR
- GMC-12MPR
- GMC-16MPR
- GMC-6MPR/4
- GMC-9MPR/4
- GMC-12MPR/4
- GMC-16MPR/4



Weight: 0.38kg

- GMD-6MPR
- GMP-9MPR
- GMD-12MPR
- GMD-16MPR
- GMD-6MPR/4
- GMD-9MPR/4
- GMD-12MPR/4
- GMD-16MPR/4

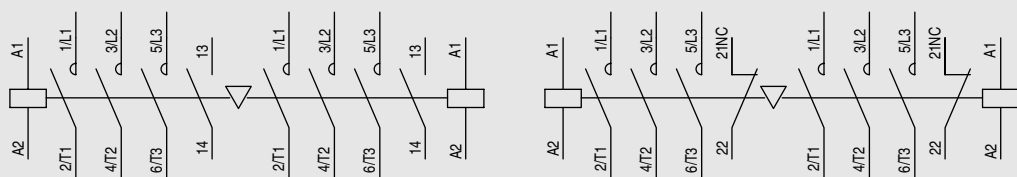


Weight: 0.56kg

### Circuit diagram

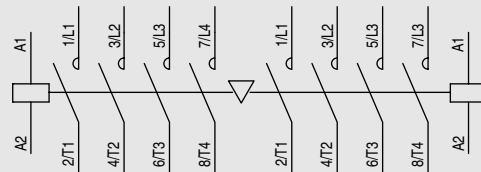
#### GMC-6MPR~16MPR, GMD-6MPR~16MPR

3-Pole contactors



#### GMC-6MPR/4~16MPR/4, GMD-6MPR/4~16MPR/4

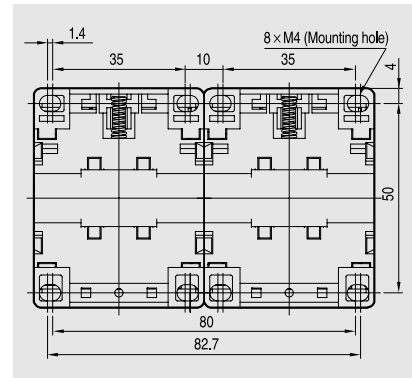
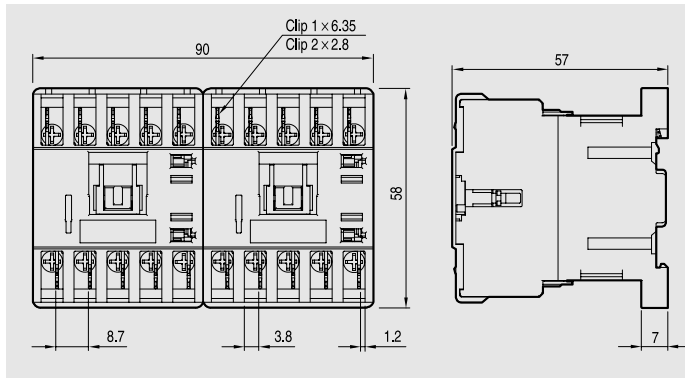
4-Pole contactors



# Dimensions

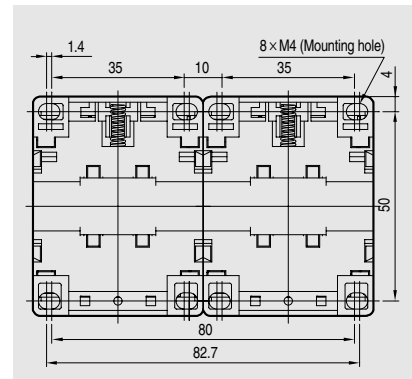
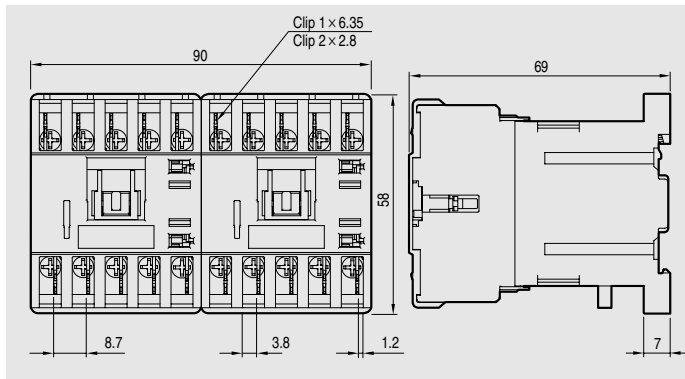
## Mini contactors, Reversing type

- GMC-6MFR
- GMC-9MFR
- GMC-12MFR
- GMC-16MFR
- GMC-6MFR/4
- GMC-9MFR/4
- GMC-12MFR/4
- GMC-16MFR/4



Weight: 0.36kg

- GMD-6MFR
- GMD-9MFR
- GMD-12MFR
- GMD-16MFR
- GMD-6MFR/4
- GMD-9MFR/4
- GMD-12MFR/4
- GMD-16MFR/4

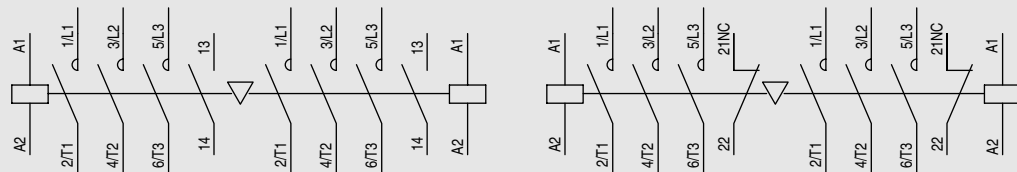


Weight: 0.54kg

### Circuit diagram

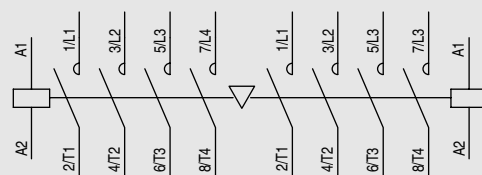
#### GMC-6MFR~16MFR, GMD-6MFR~16MFR

3-Pole contactors

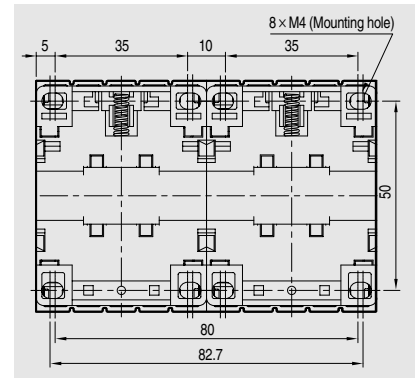
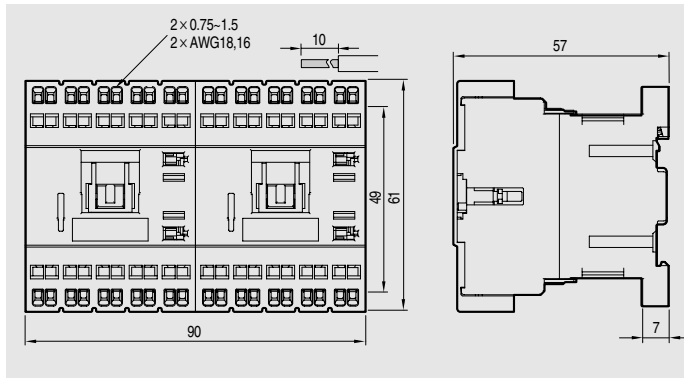


#### GMC-6MFR/4~16MFR/4, GMD-6MFR/4~16MFR/4

4-Pole contactors

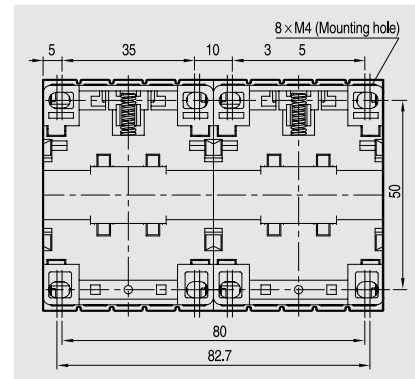
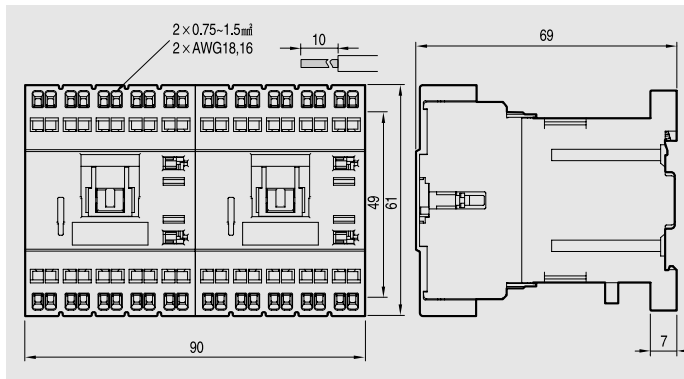


- GMC-6MCR
- GMC-9MCR
- GMC-12MCR
- GMC-16MCR
- GMC-6MCR/4
- GMC-9MCR/4
- GMC-12MCR/4
- GMC-16MCR/4



Weight: 0.38kg

- GMD-6MCR
- GMD-9MCR
- GMD-12MCR
- GMD-16MCR
- GMD-6MCR/4
- GMD-9MCR/4
- GMD-12MCR/4
- GMD-16MCR/4

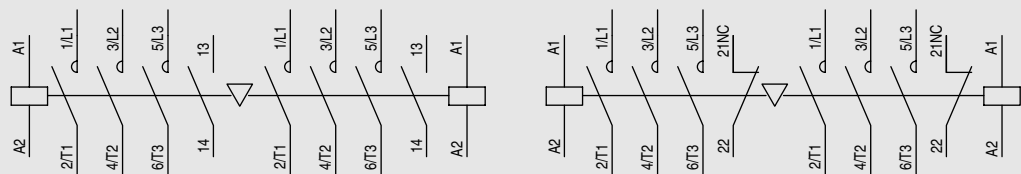


Weight: 0.56kg

## Circuit diagram

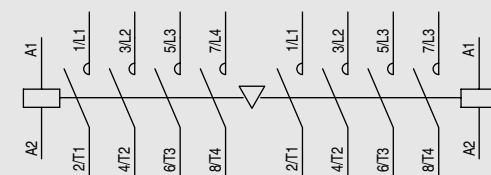
### GMC-6MCR~16MCR, GMD-6MCR~16MCR

3-Pole contactors



### GMC-6MCR/4~16MCR/4, GMD-6MCR/4~16MCR/4

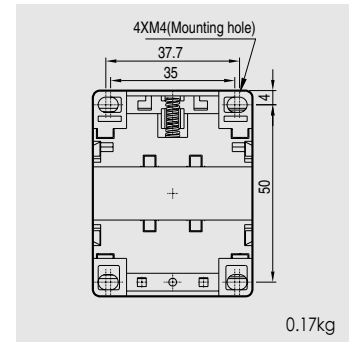
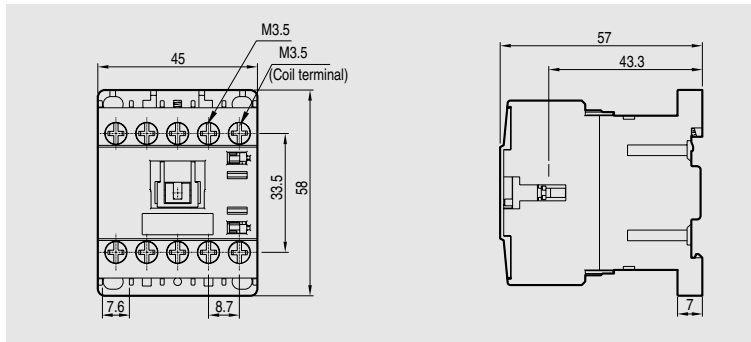
4-Pole contactors



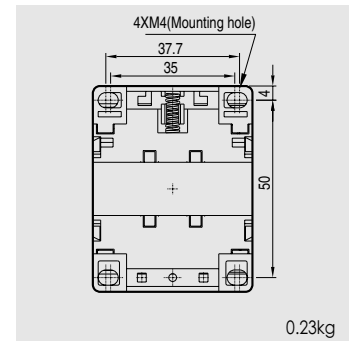
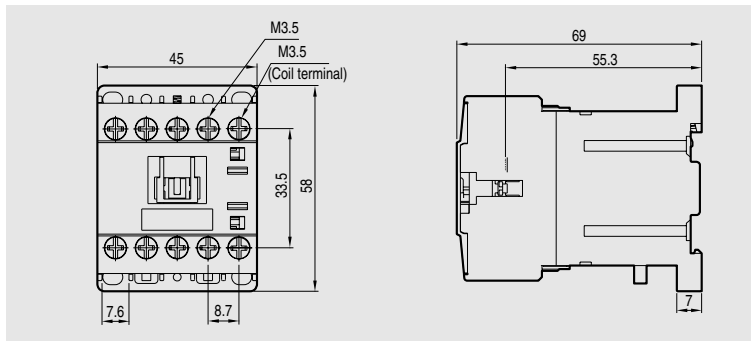
# Dimensions

## Mini contactor relays

**GMR-4M**

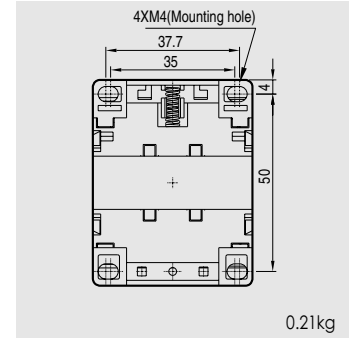
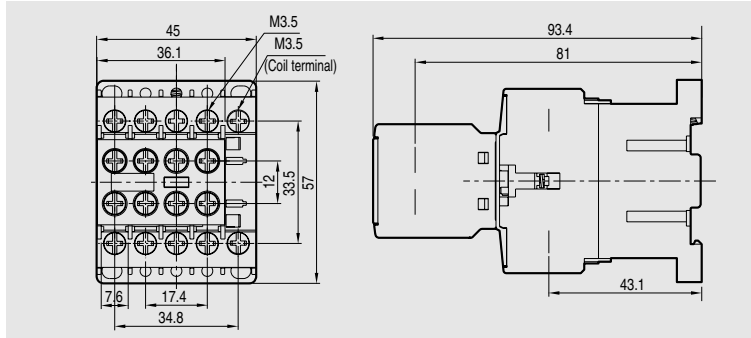


**GMR-4MD**



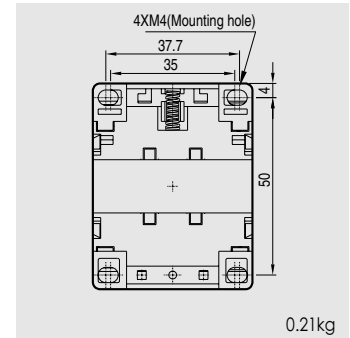
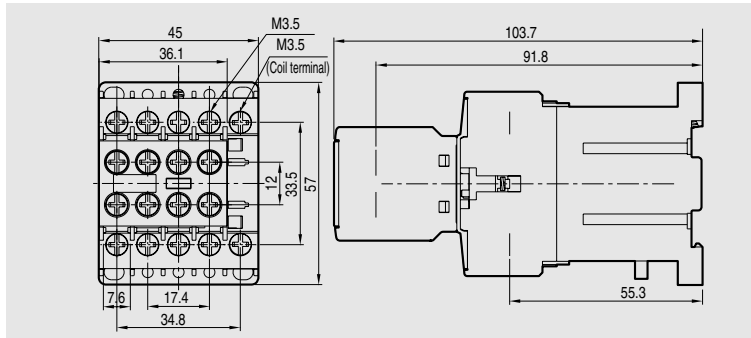
**GMR-4M**

**GMR-8M**



**GMR-4M**

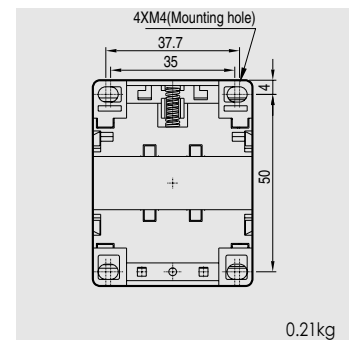
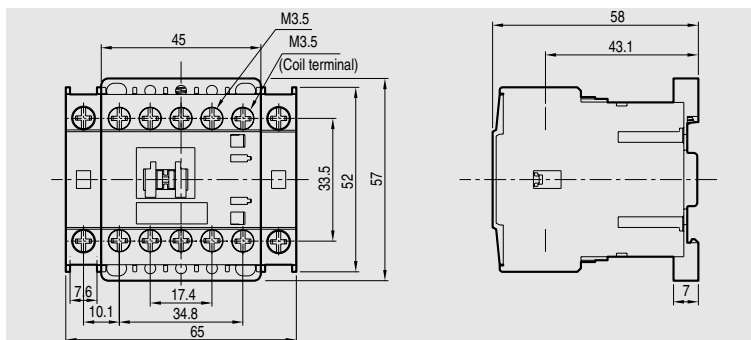
**GMR-8M**



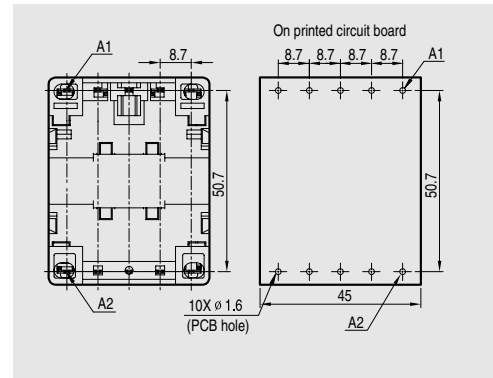
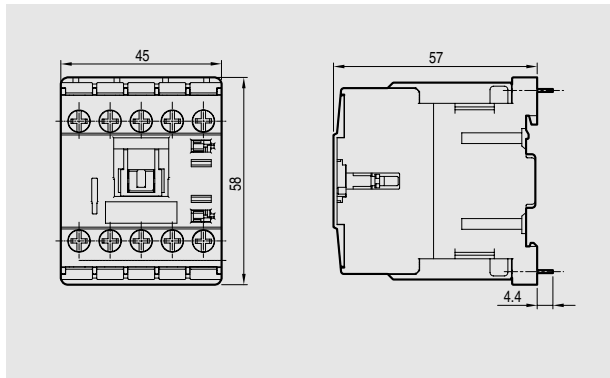
**GMR-4M**

+

**2 × AU-1M**

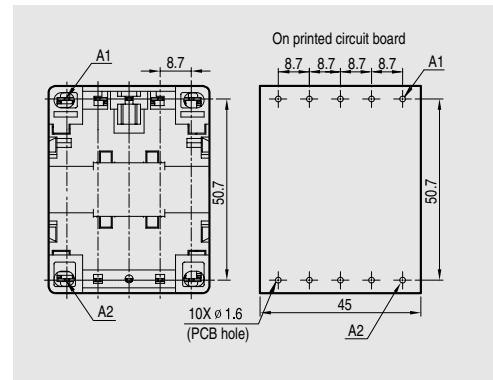
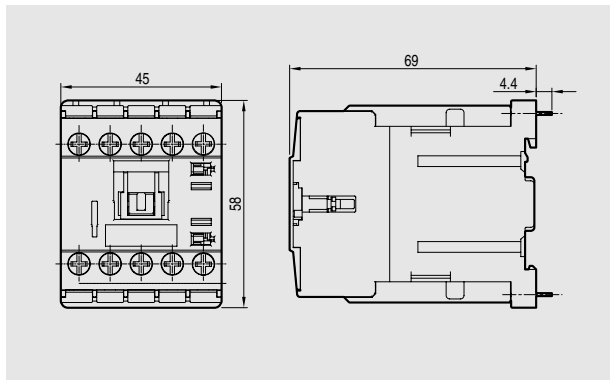


**GMR-4MP**



0.19kg

**GMR-4MPD**

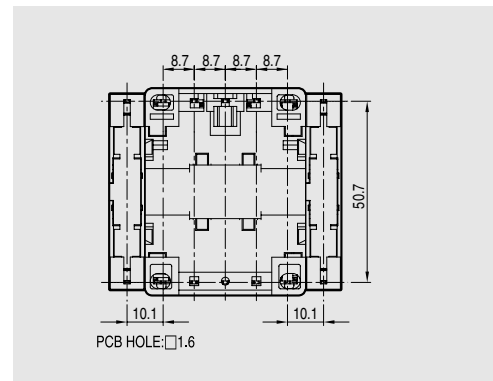
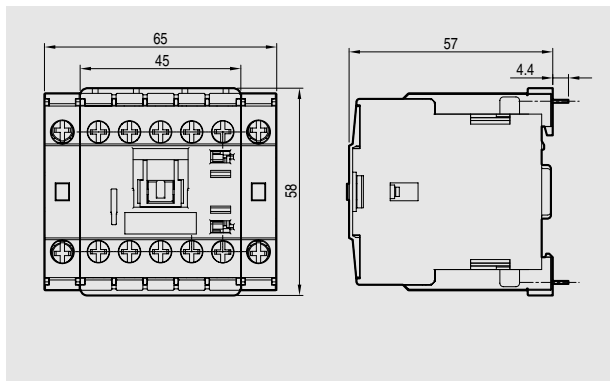


0.28kg

**GMR-4MP**

+

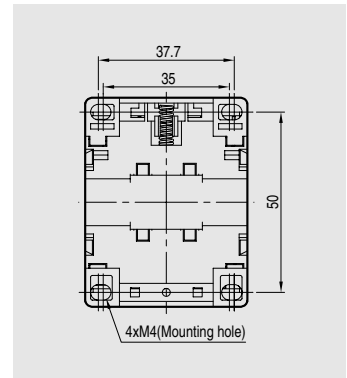
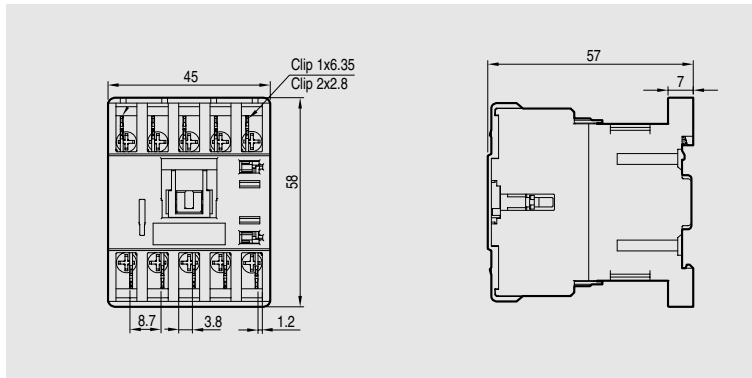
**2 × AU-1M**



# Dimensions

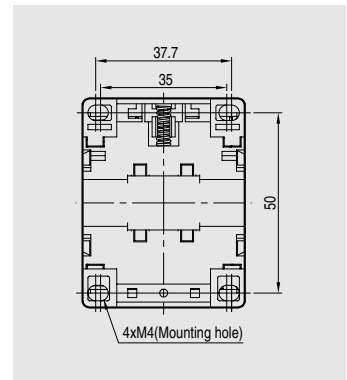
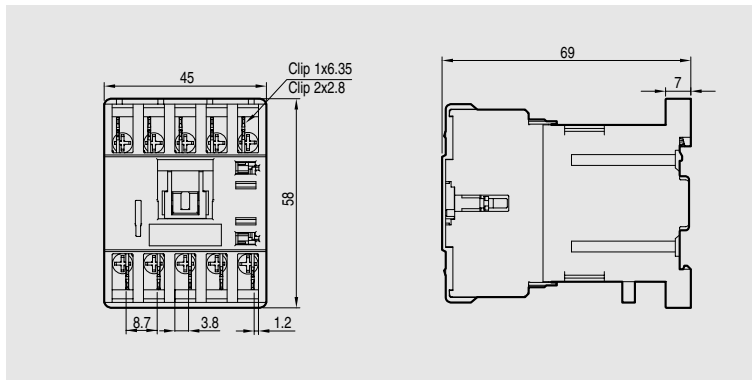
## Mini contactor relays

**GMR-4MF**



0.18kg

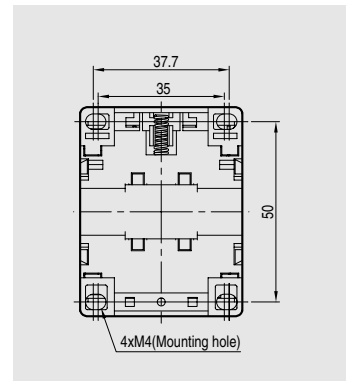
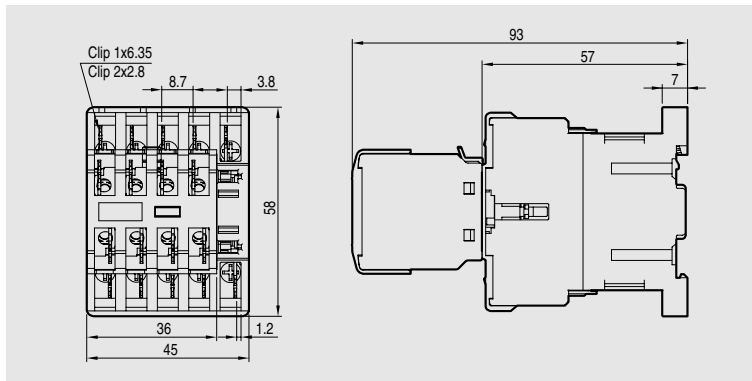
**GMR-4MFD**



0.27kg

**GMR-6MF**

**GMR-8MF**

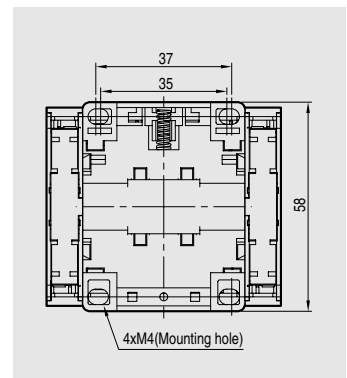
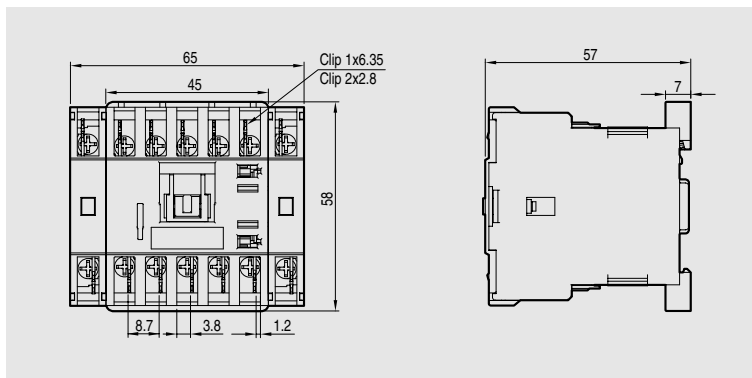


0.23kg

**GMR-4MF**

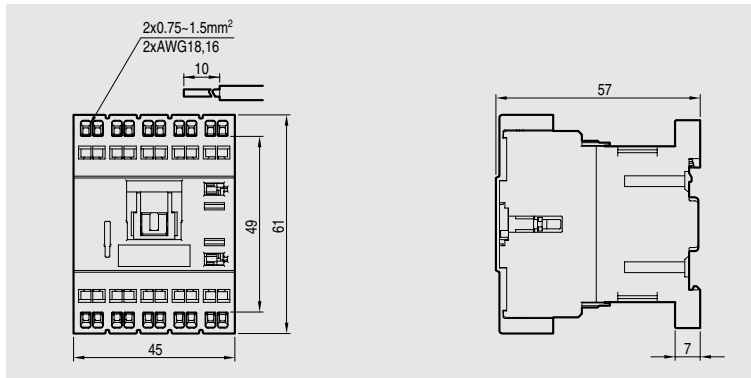
+

**2 × AU-1MF**



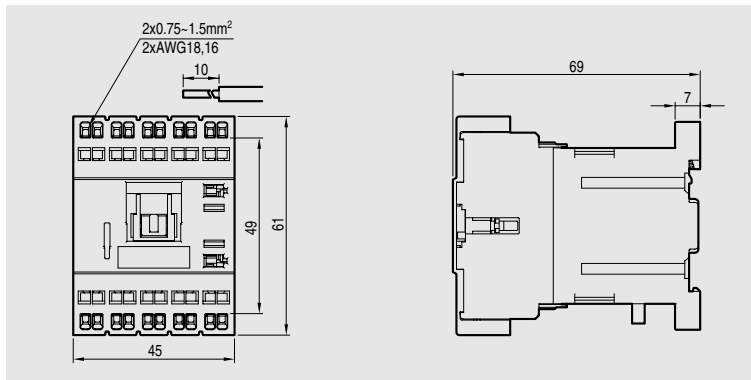
0.32kg

**GMR-4MC**



0.18kg

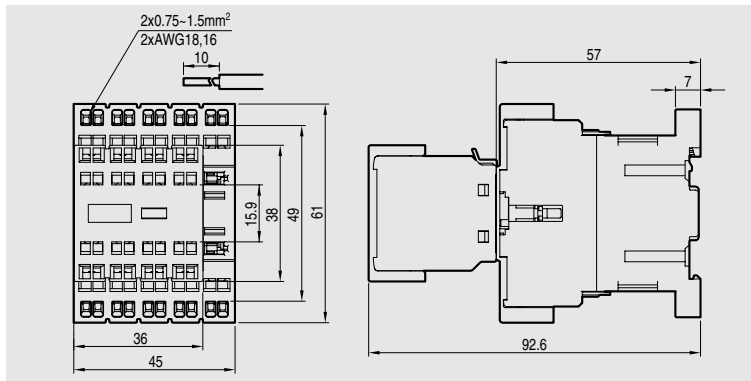
**GMR-4MCD**



0.27kg

**GMR-6MC**

**GMR-8MC**

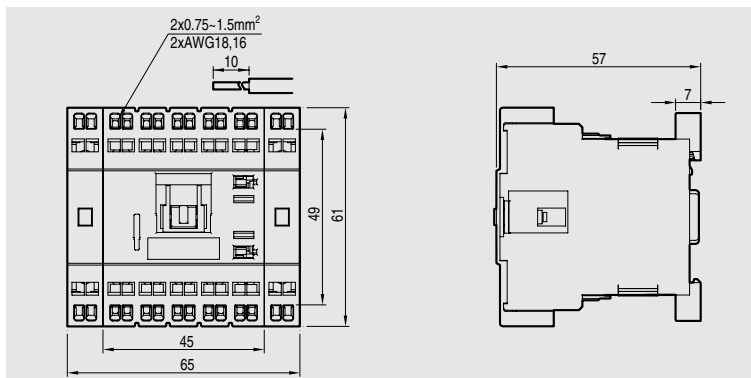


0.23kg

**GMR-4MC**

+

**2 × AU-1MC**

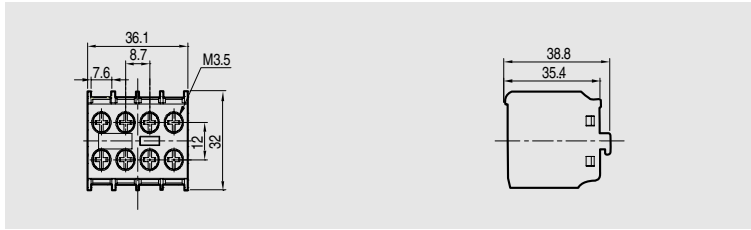


0.32kg

# Dimensions

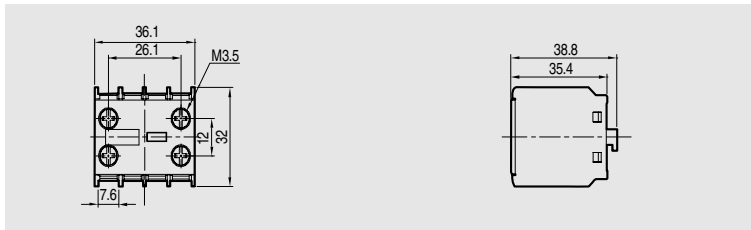
## Accessories for Mini contactors

**AU-4M**



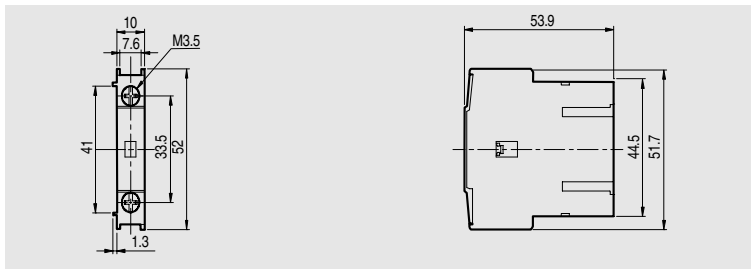
0.04kg

**AU-2M**



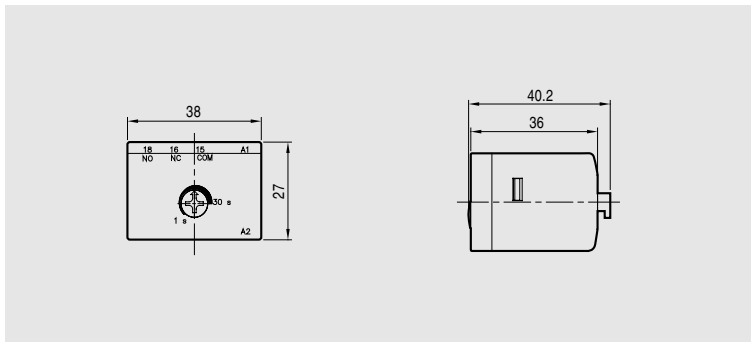
0.03kg

**AU-1M**



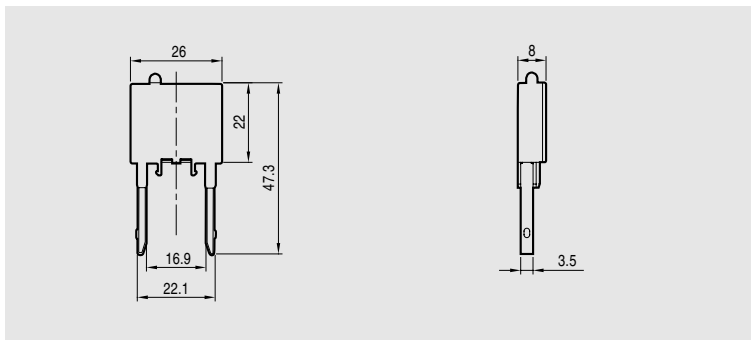
0.02kg

**AT-12M**



0.04kg

**AS-12M**



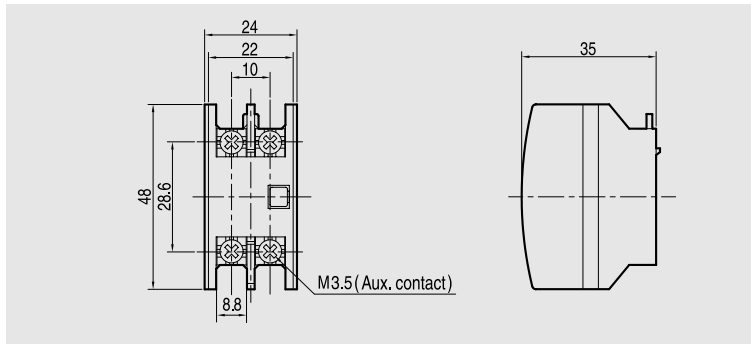
0.005kg



# Auxiliary contact blocks, front mount

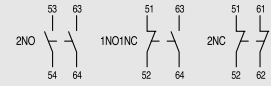


AU-2

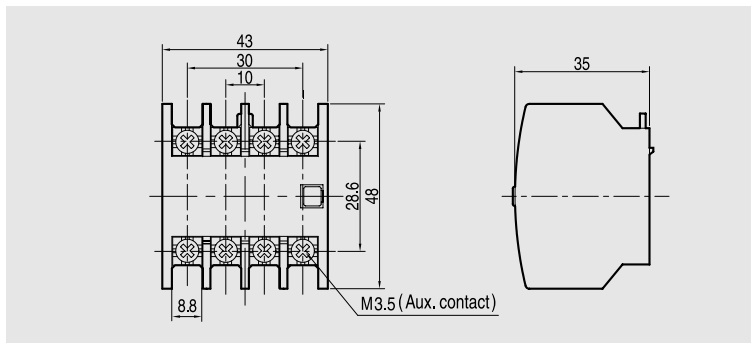


50g

## Circuit diagram

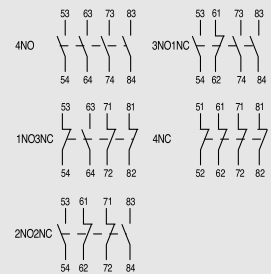


AU-4



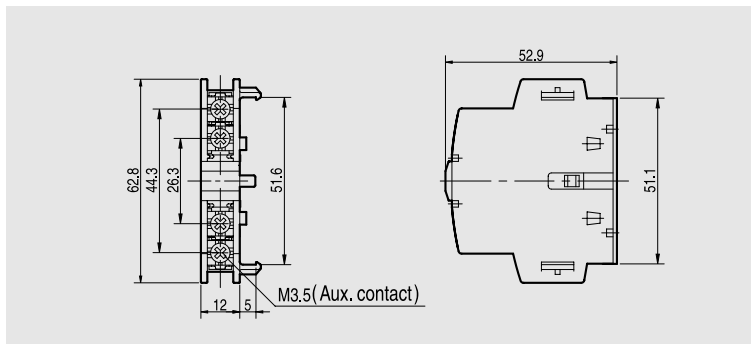
45g

## Circuit diagram



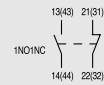
# Auxiliary contact blocks, side mount

AU-1

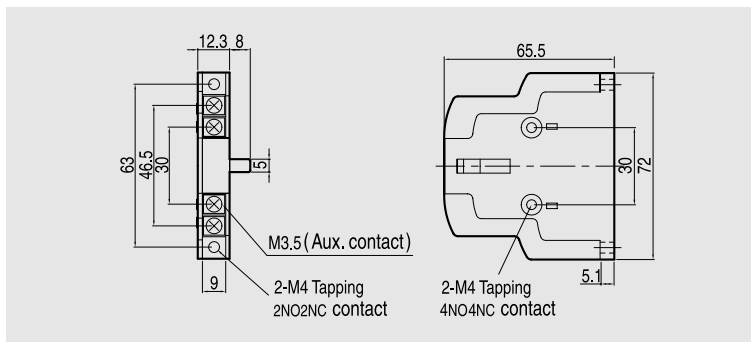


33g

## Circuit diagram

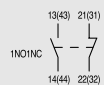


AU-100



45g

## Circuit diagram



# Catalogue numbers index

## Mini Contactors

### 3-pole AC operating Mini Contactors (6~16A)

Catalogue No.	Model	Coil Voltage (V)	Hz	No. of Auxiliary Contact	Pole	Page No.
1269022800	GMC-6M	AC24V	50/60Hz	1a	3P	24
1269022900	GMC-6M	AC36V	50/60Hz	1a	3P	24
1269023000	GMC-6M	AC42V	50/60Hz	1a	3P	24
1269023100	GMC-6M	AC48V	50/60Hz	1a	3P	24
1269023200	GMC-6M	AC110V	50/60Hz	1a	3P	24
1269023300	GMC-6M	AC115V	50/60Hz	1a	3P	24
1269023400	GMC-6M	AC120V	50/60Hz	1a	3P	24
1269023500	GMC-6M	AC127V	50/60Hz	1a	3P	24
1269034400	GMC-6M	AC200V	50/60Hz	1a	3P	24
1269023700	GMC-6M	AC220V	50/60Hz	1a	3P	24
1269037500	GMC-6M	AC240V	50/60Hz	1a	3P	24
1269024000	GMC-6M	AC256V	50/60Hz	1a	3P	24
1269024100	GMC-6M	AC277V	50/60Hz	1a	3P	24
1269032900	GMC-6M	AC380V	50/60Hz	1a	3P	24
1269024300	GMC-6M	AC400V	50/60Hz	1a	3P	24
1269024400	GMC-6M	AC440V	50/60Hz	1a	3P	24
1269024500	GMC-6M	AC480V	50/60Hz	1a	3P	24
1269024600	GMC-6M	AC500V	50/60Hz	1a	3P	24
1269024700	GMC-6M	AC550V	50/60Hz	1a	3P	24
1269002100	GMC-6M	AC24V	50/60Hz	1b	3P	24
1269002200	GMC-6M	AC36V	50/60Hz	1b	3P	24
1269002300	GMC-6M	AC42V	50/60Hz	1b	3P	24
1269002400	GMC-6M	AC48V	50/60Hz	1b	3P	24
1269002500	GMC-6M	AC110V	50/60Hz	1b	3P	24
1269002600	GMC-6M	AC115V	50/60Hz	1b	3P	24
1269002700	GMC-6M	AC120V	50/60Hz	1b	3P	24
1269002800	GMC-6M	AC127V	50/60Hz	1b	3P	24
1269037600	GMC-6M	AC200V	50/60Hz	1b	3P	24
1269003000	GMC-6M	AC220V	50/60Hz	1b	3P	24
1269037700	GMC-6M	AC240V	50/60Hz	1b	3P	24
1269003300	GMC-6M	AC256V	50/60Hz	1b	3P	24
1269003400	GMC-6M	AC277V	50/60Hz	1b	3P	24
1269033000	GMC-6M	AC380V	50/60Hz	1b	3P	24
1269003600	GMC-6M	AC400V	50/60Hz	1b	3P	24
1269003700	GMC-6M	AC440V	50/60Hz	1b	3P	24
1269003800	GMC-6M	AC480V	50/60Hz	1b	3P	24
1269003900	GMC-6M	AC500V	50/60Hz	1b	3P	24
1269004000	GMC-6M	AC550V	50/60Hz	1b	3P	24
1269008100	GMC-9M	AC24V	50/60Hz	1a	3P	24
1269008200	GMC-9M	AC36V	50/60Hz	1a	3P	24
1269008300	GMC-9M	AC42V	50/60Hz	1a	3P	24
1269008400	GMC-9M	AC48V	50/60Hz	1a	3P	24
1269008500	GMC-9M	AC110V	50/60Hz	1a	3P	24
1269008600	GMC-9M	AC115V	50/60Hz	1a	3P	24
1269008700	GMC-9M	AC120V	50/60Hz	1a	3P	24
1269008800	GMC-9M	AC127V	50/60Hz	1a	3P	24
1269034500	GMC-9M	AC200V	50/60Hz	1a	3P	24
1269009000	GMC-9M	AC220V	50/60Hz	1a	3P	24
1269038200	GMC-9M	AC240V	50/60Hz	1a	3P	24
1269009300	GMC-9M	AC256V	50/60Hz	1a	3P	24
1269009400	GMC-9M	AC277V	50/60Hz	1a	3P	24
1269033300	GMC-9M	AC380V	50/60Hz	1a	3P	24
1269009600	GMC-9M	AC400V	50/60Hz	1a	3P	24
1269009700	GMC-9M	AC440V	50/60Hz	1a	3P	24
1269009800	GMC-9M	AC480V	50/60Hz	1a	3P	24

### 3-pole AC operating Mini Contactors (6~16A)

Catalogue No.	Model	Coil Voltage (V)	Hz	No. of Auxiliary Contact	Pole	Page No.
1269009900	GMC-9M	AC500V	50/60Hz	1a	3P	24
1269010000	GMC-9M	AC550V	50/60Hz	1a	3P	24
1269010100	GMC-9M	AC24V	50/60Hz	1b	3P	24
1269010200	GMC-9M	AC36V	50/60Hz	1b	3P	24
1269010300	GMC-9M	AC42V	50/60Hz	1b	3P	24
1269010400	GMC-9M	AC48V	50/60Hz	1b	3P	24
1269010500	GMC-9M	AC110V	50/60Hz	1b	3P	24
1269010600	GMC-9M	AC115V	50/60Hz	1b	3P	24
1269010700	GMC-9M	AC120V	50/60Hz	1b	3P	24
1269010800	GMC-9M	AC127V	50/60Hz	1b	3P	24
1269038300	GMC-9M	AC200V	50/60Hz	1b	3P	24
1269011000	GMC-9M	AC220V	50/60Hz	1b	3P	24
1269038400	GMC-9M	AC240V	50/60Hz	1b	3P	24
1269011300	GMC-9M	AC256V	50/60Hz	1b	3P	24
1269011400	GMC-9M	AC277V	50/60Hz	1b	3P	24
1269033400	GMC-9M	AC380V	50/60Hz	1b	3P	24
1269011600	GMC-9M	AC400V	50/60Hz	1b	3P	24
1269011700	GMC-9M	AC440V	50/60Hz	1b	3P	24
1269011800	GMC-9M	AC480V	50/60Hz	1b	3P	24
1269011900	GMC-9M	AC500V	50/60Hz	1b	3P	24
1269012000	GMC-9M	AC550V	50/60Hz	1b	3P	24
1269040100	GMC-9MF	AC120V	50/60Hz	1a	3P	24
1269016700	GMC-12M	AC24V	50/60Hz	1a	3P	24
1269016800	GMC-12M	AC36V	50/60Hz	1a	3P	24
1269016900	GMC-12M	AC42V	50/60Hz	1a	3P	24
1269017000	GMC-12M	AC48V	50/60Hz	1a	3P	24
1269017100	GMC-12M	AC110V	50/60Hz	1a	3P	24
1269017200	GMC-12M	AC115V	50/60Hz	1a	3P	24
1269017300	GMC-12M	AC120V	50/60Hz	1a	3P	24
1269017400	GMC-12M	AC127V	50/60Hz	1a	3P	24
1269034600	GMC-12M	AC200V	50/60Hz	1a	3P	24
1269017600	GMC-12M	AC220V	50/60Hz	1a	3P	24
1269038900	GMC-12M	AC240V	50/60Hz	1a	3P	24
1269017900	GMC-12M	AC256V	50/60Hz	1a	3P	24
1269018000	GMC-12M	AC277V	50/60Hz	1a	3P	24
1269033700	GMC-12M	AC380V	50/60Hz	1a	3P	24
1269018200	GMC-12M	AC400V	50/60Hz	1a	3P	24
1269018300	GMC-12M	AC440V	50/60Hz	1a	3P	24
1269018400	GMC-12M	AC480V	50/60Hz	1a	3P	24
1269018500	GMC-12M	AC500V	50/60Hz	1a	3P	24
1269018600	GMC-12M	AC550V	50/60Hz	1a	3P	24
1269018800	GMC-12M	AC24V	50/60Hz	1b	3P	24
1269018900	GMC-12M	AC36V	50/60Hz	1b	3P	24
1269019000	GMC-12M	AC42V	50/60Hz	1b	3P	24
1269019100	GMC-12M	AC48V	50/60Hz	1b	3P	24
1269019200	GMC-12M	AC110V	50/60Hz	1b	3P	24
1269019300	GMC-12M	AC115V	50/60Hz	1b	3P	24
1269019400	GMC-12M	AC120V	50/60Hz	1b	3P	24
1269019500	GMC-12M	AC127V	50/60Hz	1b	3P	24
1269039000	GMC-12M	AC200V	50/60Hz	1b	3P	24
1269019700	GMC-12M	AC220V	50/60Hz	1b	3P	24
1269039100	GMC-12M	AC240V	50/60Hz	1b	3P	24
1269020000	GMC-12M	AC256V	50/60Hz	1b	3P	24
1269020100	GMC-12M	AC277V	50/60Hz	1b	3P	24
1269033800	GMC-12M	AC380V	50/60Hz	1b	3P	24

# Catalogue numbers index

## Mini Contactors

### 3-pole AC operating Mini Contactors (6~16A)

Catalogue No.	Model	Coil Voltage (V)	Hz	No. of Auxiliary Contact	Pole	Page No.
1269020300	GMC-12M	AC400V	50/60Hz	1b	3P	24
1269020400	GMC-12M	AC440V	50/60Hz	1b	3P	24
1269020500	GMC-12M	AC480V	50/60Hz	1b	3P	24
1269020600	GMC-12M	AC500V	50/60Hz	1b	3P	24
1269020700	GMC-12M	AC550V	50/60Hz	1b	3P	24
1269026800	GMC-16M	AC24V	50/60Hz	1a	3P	24
1269026900	GMC-16M	AC36V	50/60Hz	1a	3P	24
1269027000	GMC-16M	AC42V	50/60Hz	1a	3P	24
1269027100	GMC-16M	AC48V	50/60Hz	1a	3P	24
1269027200	GMC-16M	AC110V	50/60Hz	1a	3P	24
1269027300	GMC-16M	AC115V	50/60Hz	1a	3P	24
1269027400	GMC-16M	AC120V	50/60Hz	1a	3P	24
1269027500	GMC-16M	AC127V	50/60Hz	1a	3P	24
1269034700	GMC-16M	AC200V	50/60Hz	1a	3P	24
1269027700	GMC-16M	AC220V	50/60Hz	1a	3P	24
1269047600	GMC-16M	AC230V	50/60Hz	1a	3P	24
1269039600	GMC-16M	AC240V	50/60Hz	1a	3P	24
1269028000	GMC-16M	AC256V	50/60Hz	1a	3P	24
1269028100	GMC-16M	AC277V	50/60Hz	1a	3P	24
1269034100	GMC-16M	AC380V	50/60Hz	1a	3P	24
1269028300	GMC-16M	AC400V	50/60Hz	1a	3P	24
1269028400	GMC-16M	AC440V	50/60Hz	1a	3P	24
1269028500	GMC-16M	AC480V	50/60Hz	1a	3P	24
1269028600	GMC-16M	AC500V	50/60Hz	1a	3P	24
1269028700	GMC-16M	AC550V	50/60Hz	1a	3P	24
1269028800	GMC-16M	AC24V	50/60Hz	1b	3P	24
1269028900	GMC-16M	AC36V	50/60Hz	1b	3P	24
1269029000	GMC-16M	AC42V	50/60Hz	1b	3P	24
1269029100	GMC-16M	AC48V	50/60Hz	1b	3P	24
1269029200	GMC-16M	AC110V	50/60Hz	1b	3P	24
1269029300	GMC-16M	AC115V	50/60Hz	1b	3P	24
1269029400	GMC-16M	AC120V	50/60Hz	1b	3P	24
1269029500	GMC-16M	AC127V	50/60Hz	1b	3P	24
1269039700	GMC-16M	AC200V	50/60Hz	1b	3P	24
1269029700	GMC-16M	AC220V	50/60Hz	1b	3P	24
1269039800	GMC-16M	AC240V	50/60Hz	1b	3P	24
1269030000	GMC-16M	AC256V	50/60Hz	1b	3P	24
1269030100	GMC-16M	AC277V	50/60Hz	1b	3P	24
1269034200	GMC-16M	AC380V	50/60Hz	1b	3P	24
1269030300	GMC-16M	AC400V	50/60Hz	1b	3P	24
1269030400	GMC-16M	AC440V	50/60Hz	1b	3P	24
1269030500	GMC-16M	AC480V	50/60Hz	1b	3P	24
1269030600	GMC-16M	AC500V	50/60Hz	1b	3P	24
1269030700	GMC-16M	AC550V	50/60Hz	1b	3P	24
1269047800	GMC-9MP	AC230V	50/60Hz	1a	3P	25
1269047500	GMC-12MP	AC230V	50/60Hz	1a	3P	25
1269043700	GMC-16MP	AC120V	50/60Hz	1a	3P	25
1269045000	GMC-16MP	AC120V	50/60Hz	1b	3P	25
1269047700	GMC-12MF	AC230V	50/60Hz	1a	3P	24
1269040200	GMC-16MF	AC120V	50/60Hz	1a	3P	24
1269048400	GMC-16MF	AC24V	50/60Hz	1b	3P	24
1269048500	GMC-16MF	AC120V	50/60Hz	1b	3P	24
1269040400	GMC-16MC	AC120V	50/60Hz	1a	3P	25
1269047900	GMC-16MC	AC230V	50/60Hz	1a	3P	25

### 3-pole DC operating Mini Contactors (6~16A)

Catalogue No.	Model	Coil Voltage (V)	Coil consumption	No. of Auxiliary Contact	Pole	Page No.
1270004300	GMD-6M	DC12V	1.2W	1a	3P	26
1270004400	GMD-6M	DC20V	1.2W	1a	3P	26
1270004500	GMD-6M	DC24V	1.2W	1a	3P	26
1270004600	GMD-6M	DC48V	1.2W	1a	3P	26
1270004700	GMD-6M	DC72V	1.2W	1a	3P	26
1270004800	GMD-6M	DC110V	1.2W	1a	3P	26
1270004900	GMD-6M	DC120V	1.2W	1a	3P	26
1270007100	GMD-6M	DC12V	1.2W	1b	3P	26
1270007200	GMD-6M	DC20V	1.2W	1b	3P	26
1270007300	GMD-6M	DC24V	1.2W	1b	3P	26
1270007400	GMD-6M	DC48V	1.2W	1b	3P	26
1270007500	GMD-6M	DC72V	1.2W	1b	3P	26
1270007600	GMD-6M	DC110V	1.2W	1b	3P	26
1270007700	GMD-6M	DC120V	1.2W	1b	3P	26
1270005000	GMD-6M	DC12V	2W	1a	3P	26
1270005100	GMD-6M	DC20V	2W	1a	3P	26
1270005200	GMD-6M	DC24V	2W	1a	3P	26
1270005300	GMD-6M	DC48V	2W	1a	3P	26
1270005400	GMD-6M	DC72V	2W	1a	3P	26
1270005500	GMD-6M	DC110V	2W	1a	3P	26
1270005600	GMD-6M	DC120V	2W	1a	3P	26
1270007800	GMD-6M	DC12V	2W	1b	3P	26
1270007900	GMD-6M	DC20V	2W	1b	3P	26
1270008000	GMD-6M	DC24V	2W	1b	3P	26
1270008100	GMD-6M	DC48V	2W	1b	3P	26
1270008200	GMD-6M	DC72V	2W	1b	3P	26
1270008300	GMD-6M	DC110V	2W	1b	3P	26
1270008400	GMD-6M	DC120V	2W	1b	3P	26
1270002900	GMD-6M	DC12V	3W	1a	3P	26
1270003000	GMD-6M	DC20V	3W	1a	3P	26
1270003100	GMD-6M	DC24V	3W	1a	3P	26
1270003200	GMD-6M	DC36V	3W	1a	3P	26
1270003300	GMD-6M	DC42V	3W	1a	3P	26
1270003400	GMD-6M	DC48V	3W	1a	3P	26
1270003500	GMD-6M	DC60V	3W	1a	3P	26
1270003600	GMD-6M	DC72V	3W	1a	3P	26
1270003700	GMD-6M	DC110V	3W	1a	3P	26
1270003800	GMD-6M	DC120V	3W	1a	3P	26
1270003900	GMD-6M	DC125V	3W	1a	3P	26
1270004000	GMD-6M	DC220V	3W	1a	3P	26
1270004100	GMD-6M	DC240V	3W	1a	3P	26
1270004200	GMD-6M	DC250V	3W	1a	3P	26
1270005700	GMD-6M	DC12V	3W	1b	3P	26
1270005800	GMD-6M	DC20V	3W	1b	3P	26
1270005900	GMD-6M	DC24V	3W	1b	3P	26
1270006000	GMD-6M	DC36V	3W	1b	3P	26
1270006100	GMD-6M	DC42V	3W	1b	3P	26
1270006200	GMD-6M	DC48V	3W	1b	3P	26
1270006300	GMD-6M	DC60V	3W	1b	3P	26
1270006400	GMD-6M	DC72V	3W	1b	3P	26
1270006500	GMD-6M	DC110V	3W	1b	3P	26
1270006600	GMD-6M	DC120V	3W	1b	3P	26
1270006700	GMD-6M	DC125V	3W	1b	3P	26
1270006800	GMD-6M	DC220V	3W	1b	3P	26
1270006900	GMD-6M	DC240V	3W	1b	3P	26
1270007000	GMD-6M	DC250V	3W	1b	3P	26
1270015500	GMD-9M	DC12V	1.2W	1a	3P	26

# Catalogue numbers index

## Mini Contactors

### 3-pole DC operating Mini Contactors (6~16A)

Catalogue No.	Model	Coil Voltage (V)	Coil consumption	No. of Auxiliary Contact	Pole	Page No.
1270015600	GMD-9M	DC20V	1.2W	1a	3P	26
1270015700	GMD-9M	DC24V	1.2W	1a	3P	26
1270015800	GMD-9M	DC48V	1.2W	1a	3P	26
1270015900	GMD-9M	DC72V	1.2W	1a	3P	26
1270016000	GMD-9M	DC110V	1.2W	1a	3P	26
1270016100	GMD-9M	DC120V	1.2W	1a	3P	26
1270018600	GMD-9M	DC12V	1.2W	1b	3P	26
1270018700	GMD-9M	DC20V	1.2W	1b	3P	26
1270018800	GMD-9M	DC24V	1.2W	1b	3P	26
1270018900	GMD-9M	DC48V	1.2W	1b	3P	26
1270019000	GMD-9M	DC72V	1.2W	1b	3P	26
1270019100	GMD-9M	DC110V	1.2W	1b	3P	26
1270019200	GMD-9M	DC120V	1.2W	1b	3P	26
1270016200	GMD-9M	DC12V	2W	1a	3P	26
1270016300	GMD-9M	DC20V	2W	1a	3P	26
1270016400	GMD-9M	DC24V	2W	1a	3P	26
1270016500	GMD-9M	DC48V	2W	1a	3P	26
1270016600	GMD-9M	DC72V	2W	1a	3P	26
1270016700	GMD-9M	DC110V	2W	1a	3P	26
1270016800	GMD-9M	DC120V	2W	1a	3P	26
1270019300	GMD-9M	DC12V	2W	1b	3P	26
1270019400	GMD-9M	DC20V	2W	1b	3P	26
1270019500	GMD-9M	DC24V	2W	1b	3P	26
1270019600	GMD-9M	DC48V	2W	1b	3P	26
1270019700	GMD-9M	DC72V	2W	1b	3P	26
1270019800	GMD-9M	DC110V	2W	1b	3P	26
1270019900	GMD-9M	DC120V	2W	1b	3P	26
1270014100	GMD-9M	DC12V	3W	1a	3P	26
1270014200	GMD-9M	DC20V	3W	1a	3P	26
1270014300	GMD-9M	DC24V	3W	1a	3P	26
1270014400	GMD-9M	DC36V	3W	1a	3P	26
1270014500	GMD-9M	DC42V	3W	1a	3P	26
1270014600	GMD-9M	DC48V	3W	1a	3P	26
1270014700	GMD-9M	DC60V	3W	1a	3P	26
1270014800	GMD-9M	DC72V	3W	1a	3P	26
1270014900	GMD-9M	DC110V	3W	1a	3P	26
1270015000	GMD-9M	DC120V	3W	1a	3P	26
1270015100	GMD-9M	DC125V	3W	1a	3P	26
1270015200	GMD-9M	DC220V	3W	1a	3P	26
1270015300	GMD-9M	DC240V	3W	1a	3P	26
1270015400	GMD-9M	DC250V	3W	1a	3P	26
1270017200	GMD-9M	DC12V	3W	1b	3P	26
1270017300	GMD-9M	DC20V	3W	1b	3P	26
1270017400	GMD-9M	DC24V	3W	1b	3P	26
1270017500	GMD-9M	DC36V	3W	1b	3P	26
1270017600	GMD-9M	DC42V	3W	1b	3P	26
1270017700	GMD-9M	DC48V	3W	1b	3P	26
1270017800	GMD-9M	DC60V	3W	1b	3P	26
1270017900	GMD-9M	DC72V	3W	1b	3P	26
1270018000	GMD-9M	DC110V	3W	1b	3P	26
1270018100	GMD-9M	DC120V	3W	1b	3P	26
1270018200	GMD-9M	DC125V	3W	1b	3P	26
1270018300	GMD-9M	DC220V	3W	1b	3P	26
1270018400	GMD-9M	DC240V	3W	1b	3P	26
1270018500	GMD-9M	DC250V	3W	1b	3P	26
1270027000	GMD-12M	DC12V	1.2W	1a	3P	26
1270027100	GMD-12M	DC20V	1.2W	1a	3P	26

### 3-pole DC operating Mini Contactors (6~16A)

Catalogue No.	Model	Coil Voltage (V)	Coil consumption	No. of Auxiliary Contact	Pole	Page No.
1270027200	GMD-12M	DC24V	1.2W	1a	3P	26
1270027300	GMD-12M	DC48V	1.2W	1a	3P	26
1270027400	GMD-12M	DC72V	1.2W	1a	3P	26
1270027500	GMD-12M	DC110V	1.2W	1a	3P	26
1270027600	GMD-12M	DC120V	1.2W	1a	3P	26
1270029800	GMD-12M	DC12V	1.2W	1b	3P	26
1270029900	GMD-12M	DC20V	1.2W	1b	3P	26
1270030000	GMD-12M	DC24V	1.2W	1b	3P	26
1270030100	GMD-12M	DC48V	1.2W	1b	3P	26
1270030200	GMD-12M	DC72V	1.2W	1b	3P	26
1270030300	GMD-12M	DC110V	1.2W	1b	3P	26
1270030400	GMD-12M	DC120V	1.2W	1b	3P	26
1270027700	GMD-12M	DC12V	2W	1a	3P	26
1270027800	GMD-12M	DC20V	2W	1a	3P	26
1270027900	GMD-12M	DC24V	2W	1a	3P	26
1270028000	GMD-12M	DC48V	2W	1a	3P	26
1270028100	GMD-12M	DC72V	2W	1a	3P	26
1270028200	GMD-12M	DC110V	2W	1a	3P	26
1270028300	GMD-12M	DC120V	2W	1a	3P	26
1270030500	GMD-12M	DC12V	2W	1b	3P	26
1270030600	GMD-12M	DC20V	2W	1b	3P	26
1270030700	GMD-12M	DC24V	2W	1b	3P	26
1270030800	GMD-12M	DC48V	2W	1b	3P	26
1270030900	GMD-12M	DC72V	2W	1b	3P	26
1270031000	GMD-12M	DC110V	2W	1b	3P	26
1270031100	GMD-12M	DC120V	2W	1b	3P	26
1270025600	GMD-12M	DC12V	3W	1a	3P	26
1270025700	GMD-12M	DC20V	3W	1a	3P	26
1270025800	GMD-12M	DC24V	3W	1a	3P	26
1270025900	GMD-12M	DC36V	3W	1a	3P	26
1270026000	GMD-12M	DC42V	3W	1a	3P	26
1270026100	GMD-12M	DC48V	3W	1a	3P	26
1270026200	GMD-12M	DC60V	3W	1a	3P	26
1270026300	GMD-12M	DC72V	3W	1a	3P	26
1270026400	GMD-12M	DC110V	3W	1a	3P	26
1270026500	GMD-12M	DC120V	3W	1a	3P	26
1270026600	GMD-12M	DC125V	3W	1a	3P	26
1270026700	GMD-12M	DC220V	3W	1a	3P	26
1270026800	GMD-12M	DC240V	3W	1a	3P	26
1270026900	GMD-12M	DC250V	3W	1a	3P	26
1270028400	GMD-12M	DC12V	3W	1b	3P	26
1270028500	GMD-12M	DC20V	3W	1b	3P	26
1270028600	GMD-12M	DC24V	3W	1b	3P	26
1270028700	GMD-12M	DC36V	3W	1b	3P	26
1270028800	GMD-12M	DC42V	3W	1b	3P	26
1270028900	GMD-12M	DC48V	3W	1b	3P	26
1270029000	GMD-12M	DC60V	3W	1b	3P	26
1270029100	GMD-12M	DC72V	3W	1b	3P	26
1270029200	GMD-12M	DC110V	3W	1b	3P	26
1270029300	GMD-12M	DC120V	3W	1b	3P	26
1270029400	GMD-12M	DC125V	3W	1b	3P	26
1270029500	GMD-12M	DC220V	3W	1b	3P	26
1270029600	GMD-12M	DC240V	3W	1b	3P	26
1270029700	GMD-12M	DC250V	3W	1b	3P	26
1270038300	GMD-16M	DC12V	1.2W	1a	3P	26
1270038400	GMD-16M	DC20V	1.2W	1a	3P	26
1270038500	GMD-16M	DC24V	1.2W	1a	3P	26

# Catalogue numbers index

## Mini Contactors

### 3-pole DC operating Mini Contactors (6~16A)

Catalogue No.	Model	Coil Voltage (V)	Coil consumption	No. of Auxiliary Contact	Pole	Page No.
1270038600	GMD-16M	DC48V	1.2W	1a	3P	26
1270038700	GMD-16M	DC72V	1.2W	1a	3P	26
1270038800	GMD-16M	DC110V	1.2W	1a	3P	26
1270038900	GMD-16M	DC120V	1.2W	1a	3P	26
1270041100	GMD-16M	DC12V	1.2W	1b	3P	26
1270041200	GMD-16M	DC20V	1.2W	1b	3P	26
1270041300	GMD-16M	DC24V	1.2W	1b	3P	26
1270041400	GMD-16M	DC48V	1.2W	1b	3P	26
1270041500	GMD-16M	DC72V	1.2W	1b	3P	26
1270041600	GMD-16M	DC110V	1.2W	1b	3P	26
1270041700	GMD-16M	DC120V	1.2W	1b	3P	26
1270039000	GMD-16M	DC12V	2W	1a	3P	26
1270039100	GMD-16M	DC20V	2W	1a	3P	26
1270039200	GMD-16M	DC24V	2W	1a	3P	26
1270039300	GMD-16M	DC48V	2W	1a	3P	26
1270039400	GMD-16M	DC72V	2W	1a	3P	26
1270039500	GMD-16M	DC110V	2W	1a	3P	26
1270039600	GMD-16M	DC120V	2W	1a	3P	26
1270041800	GMD-16M	DC12V	2W	1b	3P	26
1270041900	GMD-16M	DC20V	2W	1b	3P	26
1270042000	GMD-16M	DC24V	2W	1b	3P	26
1270042100	GMD-16M	DC48V	2W	1b	3P	26
1270042200	GMD-16M	DC72V	2W	1b	3P	26
1270042300	GMD-16M	DC110V	2W	1b	3P	26
1270042400	GMD-16M	DC120V	2W	1b	3P	26
1270036900	GMD-16M	DC12V	3W	1a	3P	26
1270037000	GMD-16M	DC20V	3W	1a	3P	26
1270037100	GMD-16M	DC24V	3W	1a	3P	26
1270037200	GMD-16M	DC36V	3W	1a	3P	26
1270037300	GMD-16M	DC42V	3W	1a	3P	26
1270037400	GMD-16M	DC48V	3W	1a	3P	26
1270037500	GMD-16M	DC60V	3W	1a	3P	26
1270037600	GMD-16M	DC72V	3W	1a	3P	26
1270037700	GMD-16M	DC110V	3W	1a	3P	26
1270037800	GMD-16M	DC120V	3W	1a	3P	26
1270037900	GMD-16M	DC125V	3W	1a	3P	26
1270038000	GMD-16M	DC220V	3W	1a	3P	26
1270038100	GMD-16M	DC240V	3W	1a	3P	26
1270038200	GMD-16M	DC250V	3W	1a	3P	26
1270039700	GMD-16M	DC12V	3W	1b	3P	26
1270039800	GMD-16M	DC20V	3W	1b	3P	26
1270039900	GMD-16M	DC24V	3W	1b	3P	26
1270040000	GMD-16M	DC36V	3W	1b	3P	26
1270040100	GMD-16M	DC42V	3W	1b	3P	26
1270040200	GMD-16M	DC48V	3W	1b	3P	26
1270040300	GMD-16M	DC60V	3W	1b	3P	26
1270040400	GMD-16M	DC72V	3W	1b	3P	26
1270040500	GMD-16M	DC110V	3W	1b	3P	26
1270040600	GMD-16M	DC120V	3W	1b	3P	26
1270040700	GMD-16M	DC125V	3W	1b	3P	26
1270040800	GMD-16M	DC220V	3W	1b	3P	26
1270040900	GMD-16M	DC240V	3W	1b	3P	26
1270041000	GMD-16M	DC250V	3W	1b	3P	26
1270047300	GMD-6MF	DC220V	3W	1a	3P	26
1270046200	GMD-9MP	DC24V	3W	1a	3P	27
1270045900	GMD-12MP	DC24V	1.2W	1a	3P	27
1270046000	GMD-9MR	DC60V	3W	2b	3P	63



## 4-pole AC operating Mini Contactors (6~16A)

Catalogue No.	Model	Coil Voltage (V)	Hz	Main Contact	Pole	Page No.
1269004100	GMC-6M	AC24V	50/60Hz	2a2b	4P	
1269004200	GMC-6M	AC36V	50/60Hz	2a2b	4P	
1269004300	GMC-6M	AC42V	50/60Hz	2a2b	4P	
1269004400	GMC-6M	AC48V	50/60Hz	2a2b	4P	
1269004500	GMC-6M	AC110V	50/60Hz	2a2b	4P	
1269004600	GMC-6M	AC115V	50/60Hz	2a2b	4P	
1269004700	GMC-6M	AC120V	50/60Hz	2a2b	4P	
1269004800	GMC-6M	AC127V	50/60Hz	2a2b	4P	
1269037800	GMC-6M	AC200V	50/60Hz	2a2b	4P	
1269005000	GMC-6M	AC220V	50/60Hz	2a2b	4P	
1269037900	GMC-6M	AC240V	50/60Hz	2a2b	4P	
1269005300	GMC-6M	AC256V	50/60Hz	2a2b	4P	
1269005400	GMC-6M	AC277V	50/60Hz	2a2b	4P	
1269033100	GMC-6M	AC380V	50/60Hz	2a2b	4P	
1269005600	GMC-6M	AC400V	50/60Hz	2a2b	4P	
1269005700	GMC-6M	AC440V	50/60Hz	2a2b	4P	
1269005800	GMC-6M	AC480V	50/60Hz	2a2b	4P	
1269005900	GMC-6M	AC500V	50/60Hz	2a2b	4P	
1269006000	GMC-6M	AC550V	50/60Hz	2a2b	4P	
1269000100	GMC-6M	AC24V	50/60Hz	4a	4P	
1269000200	GMC-6M	AC36V	50/60Hz	4a	4P	
1269000300	GMC-6M	AC42V	50/60Hz	4a	4P	
1269000400	GMC-6M	AC48V	50/60Hz	4a	4P	
1269000500	GMC-6M	AC110V	50/60Hz	4a	4P	
1269000600	GMC-6M	AC115V	50/60Hz	4a	4P	
1269000700	GMC-6M	AC120V	50/60Hz	4a	4P	
1269000800	GMC-6M	AC127V	50/60Hz	4a	4P	
1269037300	GMC-6M	AC200V	50/60Hz	4a	4P	
1269001000	GMC-6M	AC220V	50/60Hz	4a	4P	
1269037400	GMC-6M	AC240V	50/60Hz	4a	4P	
1269001300	GMC-6M	AC256V	50/60Hz	4a	4P	
1269001400	GMC-6M	AC277V	50/60Hz	4a	4P	
1269032800	GMC-6M	AC380V	50/60Hz	4a	4P	
1269001600	GMC-6M	AC400V	50/60Hz	4a	4P	
1269001700	GMC-6M	AC440V	50/60Hz	4a	4P	
1269001800	GMC-6M	AC480V	50/60Hz	4a	4P	
1269001900	GMC-6M	AC500V	50/60Hz	4a	4P	
1269002000	GMC-6M	AC550V	50/60Hz	4a	4P	
1269012100	GMC-9M	AC24V	50/60Hz	2a2b	4P	
1269012200	GMC-9M	AC36V	50/60Hz	2a2b	4P	
1269012300	GMC-9M	AC42V	50/60Hz	2a2b	4P	
1269012400	GMC-9M	AC48V	50/60Hz	2a2b	4P	
1269012500	GMC-9M	AC110V	50/60Hz	2a2b	4P	
1269012600	GMC-9M	AC115V	50/60Hz	2a2b	4P	
1269012700	GMC-9M	AC120V	50/60Hz	2a2b	4P	
1269012800	GMC-9M	AC127V	50/60Hz	2a2b	4P	
1269038500	GMC-9M	AC200V	50/60Hz	2a2b	4P	
1269013000	GMC-9M	AC220V	50/60Hz	2a2b	4P	
1269038600	GMC-9M	AC240V	50/60Hz	2a2b	4P	
1269013300	GMC-9M	AC256V	50/60Hz	2a2b	4P	
1269013400	GMC-9M	AC277V	50/60Hz	2a2b	4P	
1269033500	GMC-9M	AC380V	50/60Hz	2a2b	4P	
1269013600	GMC-9M	AC400V	50/60Hz	2a2b	4P	
1269013700	GMC-9M	AC440V	50/60Hz	2a2b	4P	
1269013800	GMC-9M	AC480V	50/60Hz	2a2b	4P	

# Catalogue numbers index

## Mini Contactors

### 4-pole AC operating Mini Contactors (6~16A)

Catalogue No.	Model	Coil Voltage (V)	Hz	Main Contact	Pole	Page No.
1269013900	GMC-9M	AC500V	50/60Hz	2a2b	4P	
1269014000	GMC-9M	AC550V	50/60Hz	2a2b	4P	
1269006100	GMC-9M	AC24V	50/60Hz	4a	4P	
1269006200	GMC-9M	AC36V	50/60Hz	4a	4P	
1269006300	GMC-9M	AC42V	50/60Hz	4a	4P	
1269006400	GMC-9M	AC48V	50/60Hz	4a	4P	
1269006500	GMC-9M	AC110V	50/60Hz	4a	4P	
1269006600	GMC-9M	AC115V	50/60Hz	4a	4P	
1269006700	GMC-9M	AC120V	50/60Hz	4a	4P	
1269006800	GMC-9M	AC127V	50/60Hz	4a	4P	
1269038000	GMC-9M	AC200V	50/60Hz	4a	4P	
1269007000	GMC-9M	AC220V	50/60Hz	4a	4P	
1269038100	GMC-9M	AC240V	50/60Hz	4a	4P	
1269007300	GMC-9M	AC256V	50/60Hz	4a	4P	
1269007400	GMC-9M	AC277V	50/60Hz	4a	4P	
1269033200	GMC-9M	AC380V	50/60Hz	4a	4P	
1269007600	GMC-9M	AC400V	50/60Hz	4a	4P	
1269007700	GMC-9M	AC440V	50/60Hz	4a	4P	
1269007800	GMC-9M	AC480V	50/60Hz	4a	4P	
1269007900	GMC-9M	AC500V	50/60Hz	4a	4P	
1269008000	GMC-9M	AC550V	50/60Hz	4a	4P	
1269020800	GMC-12M	AC24V	50/60Hz	2a2b	4P	
1269020900	GMC-12M	AC36V	50/60Hz	2a2b	4P	
1269021000	GMC-12M	AC42V	50/60Hz	2a2b	4P	
1269021100	GMC-12M	AC48V	50/60Hz	2a2b	4P	
1269021200	GMC-12M	AC110V	50/60Hz	2a2b	4P	
1269021300	GMC-12M	AC115V	50/60Hz	2a2b	4P	
1269021400	GMC-12M	AC120V	50/60Hz	2a2b	4P	
1269021500	GMC-12M	AC127V	50/60Hz	2a2b	4P	
1269039200	GMC-12M	AC200V	50/60Hz	2a2b	4P	
1269021700	GMC-12M	AC220V	50/60Hz	2a2b	4P	
1269039300	GMC-12M	AC240V	50/60Hz	2a2b	4P	
1269022000	GMC-12M	AC256V	50/60Hz	2a2b	4P	
1269022100	GMC-12M	AC277V	50/60Hz	2a2b	4P	
1269033900	GMC-12M	AC380V	50/60Hz	2a2b	4P	
1269022300	GMC-12M	AC400V	50/60Hz	2a2b	4P	
1269022400	GMC-12M	AC440V	50/60Hz	2a2b	4P	
1269022500	GMC-12M	AC480V	50/60Hz	2a2b	4P	
1269022600	GMC-12M	AC500V	50/60Hz	2a2b	4P	
1269022700	GMC-12M	AC550V	50/60Hz	2a2b	4P	
1269014100	GMC-12M	AC24V	50/60Hz	4a	4P	
1269014200	GMC-12M	AC36V	50/60Hz	4a	4P	
1269014300	GMC-12M	AC42V	50/60Hz	4a	4P	
1269014400	GMC-12M	AC48V	50/60Hz	4a	4P	
1269014500	GMC-12M	AC110V	50/60Hz	4a	4P	
1269014600	GMC-12M	AC115V	50/60Hz	4a	4P	
1269014700	GMC-12M	AC120V	50/60Hz	4a	4P	
1269014800	GMC-12M	AC127V	50/60Hz	4a	4P	
1269038700	GMC-12M	AC200V	50/60Hz	4a	4P	
1269015000	GMC-12M	AC220V	50/60Hz	4a	4P	
1269038800	GMC-12M	AC240V	50/60Hz	4a	4P	
1269015300	GMC-12M	AC256V	50/60Hz	4a	4P	
1269015400	GMC-12M	AC277V	50/60Hz	4a	4P	
1269033600	GMC-12M	AC380V	50/60Hz	4a	4P	
1269016200	GMC-12M	AC400V	50/60Hz	4a	4P	

## 4-pole AC operating Mini Contactors (6~16A)

Catalogue No.	Model	Coil Voltage (V)	Hz	Main Contact	Pole	Page No.
1269016300	GMC-12M	AC440V	50/60Hz	4a	4P	
1269016400	GMC-12M	AC480V	50/60Hz	4a	4P	
1269016500	GMC-12M	AC500V	50/60Hz	4a	4P	
1269030800	GMC-16M	AC24V	50/60Hz	2a2b	4P	
1269030900	GMC-16M	AC36V	50/60Hz	2a2b	4P	
1269031000	GMC-16M	AC42V	50/60Hz	2a2b	4P	
1269031100	GMC-16M	AC48V	50/60Hz	2a2b	4P	
1269031200	GMC-16M	AC110V	50/60Hz	2a2b	4P	
1269031300	GMC-16M	AC115V	50/60Hz	2a2b	4P	
1269031400	GMC-16M	AC120V	50/60Hz	2a2b	4P	
1269031500	GMC-16M	AC127V	50/60Hz	2a2b	4P	
1269039900	GMC-16M	AC200V	50/60Hz	2a2b	4P	
1269031700	GMC-16M	AC220V	50/60Hz	2a2b	4P	
1269040000	GMC-16M	AC240V	50/60Hz	2a2b	4P	
1269032000	GMC-16M	AC256V	50/60Hz	2a2b	4P	
1269032100	GMC-16M	AC277V	50/60Hz	2a2b	4P	
1269034300	GMC-16M	AC380V	50/60Hz	2a2b	4P	
1269032300	GMC-16M	AC400V	50/60Hz	2a2b	4P	
1269032400	GMC-16M	AC440V	50/60Hz	2a2b	4P	
1269032500	GMC-16M	AC480V	50/60Hz	2a2b	4P	
1269032600	GMC-16M	AC500V	50/60Hz	2a2b	4P	
1269032700	GMC-16M	AC550V	50/60Hz	2a2b	4P	
1269024800	GMC-16M	AC24V	50/60Hz	4a	4P	
1269024900	GMC-16M	AC36V	50/60Hz	4a	4P	
1269025000	GMC-16M	AC42V	50/60Hz	4a	4P	
1269025100	GMC-16M	AC48V	50/60Hz	4a	4P	
1269025200	GMC-16M	AC110V	50/60Hz	4a	4P	
1269025300	GMC-16M	AC115V	50/60Hz	4a	4P	
1269025400	GMC-16M	AC120V	50/60Hz	4a	4P	
1269025500	GMC-16M	AC127V	50/60Hz	4a	4P	
1269039400	GMC-16M	AC200V	50/60Hz	4a	4P	
1269025700	GMC-16M	AC220V	50/60Hz	4a	4P	
1269039500	GMC-16M	AC240V	50/60Hz	4a	4P	
1269026000	GMC-16M	AC256V	50/60Hz	4a	4P	
1269026100	GMC-16M	AC277V	50/60Hz	4a	4P	
1269034000	GMC-16M	AC380V	50/60Hz	4a	4P	
1269026300	GMC-16M	AC400V	50/60Hz	4a	4P	
1269026400	GMC-16M	AC440V	50/60Hz	4a	4P	
1269026500	GMC-16M	AC480V	50/60Hz	4a	4P	
1269026600	GMC-16M	AC500V	50/60Hz	4a	4P	
1269026700	GMC-16M	AC550V	50/60Hz	4a	4P	

# Catalogue numbers index

## Mini Contactors

### 4-pole DC operating Mini Contactors (6~16A)

Catalogue No.	Model	Coil Voltage (V)	Coil consumption	Main Contact	Pole	Page No.
1270009900	GMD-6M	DC12V	1.2W	2a2b	4P	
1270010000	GMD-6M	DC20V	1.2W	2a2b	4P	
1270010100	GMD-6M	DC24V	1.2W	2a2b	4P	
1270010200	GMD-6M	DC48V	1.2W	2a2b	4P	
1270010300	GMD-6M	DC72V	1.2W	2a2b	4P	
1270010400	GMD-6M	DC110V	1.2W	2a2b	4P	
1270010500	GMD-6M	DC120V	1.2W	2a2b	4P	
1270001500	GMD-6M	DC12V	1.2W	4a	4P	
1270001600	GMD-6M	DC20V	1.2W	4a	4P	
1270001700	GMD-6M	DC24V	1.2W	4a	4P	
1270001800	GMD-6M	DC48V	1.2W	4a	4P	
1270001900	GMD-6M	DC72V	1.2W	4a	4P	
1270002000	GMD-6M	DC110V	1.2W	4a	4P	
1270002100	GMD-6M	DC120V	1.2W	4a	4P	
1270010600	GMD-6M	DC12V	2W	2a2b	4P	
1270010700	GMD-6M	DC20V	2W	2a2b	4P	
1270010800	GMD-6M	DC24V	2W	2a2b	4P	
1270010900	GMD-6M	DC48V	2W	2a2b	4P	
1270011000	GMD-6M	DC72V	2W	2a2b	4P	
1270011100	GMD-6M	DC110V	2W	2a2b	4P	
1270011200	GMD-6M	DC120V	2W	2a2b	4P	
1270002200	GMD-6M	DC12V	2W	4a	4P	
1270002300	GMD-6M	DC20V	2W	4a	4P	
1270002400	GMD-6M	DC24V	2W	4a	4P	
1270002500	GMD-6M	DC48V	2W	4a	4P	
1270002600	GMD-6M	DC72V	2W	4a	4P	
1270002700	GMD-6M	DC110V	2W	4a	4P	
1270002800	GMD-6M	DC120V	2W	4a	4P	
1270000100	GMD-6M	DC12V	3W	4a	4P	
1270000200	GMD-6M	DC20V	3W	4a	4P	
1270000300	GMD-6M	DC24V	3W	4a	4P	
1270000400	GMD-6M	DC36V	3W	4a	4P	
1270000500	GMD-6M	DC42V	3W	4a	4P	
1270000600	GMD-6M	DC48V	3W	4a	4P	
1270000700	GMD-6M	DC60V	3W	4a	4P	
1270000800	GMD-6M	DC72V	3W	4a	4P	
1270000900	GMD-6M	DC110V	3W	4a	4P	
1270001000	GMD-6M	DC120V	3W	4a	4P	
1270001100	GMD-6M	DC125V	3W	4a	4P	
1270001200	GMD-6M	DC220V	3W	4a	4P	
1270001300	GMD-6M	DC240V	3W	4a	4P	
1270001400	GMD-6M	DC250V	3W	4a	4P	
1270008500	GMD-6M	DC12V	3W	2a2b	4P	
1270008600	GMD-6M	DC20V	3W	2a2b	4P	
1270008700	GMD-6M	DC24V	3W	2a2b	4P	
1270008800	GMD-6M	DC36V	3W	2a2b	4P	
1270008900	GMD-6M	DC42V	3W	2a2b	4P	
1270009000	GMD-6M	DC48V	3W	2a2b	4P	
1270009100	GMD-6M	DC60V	3W	2a2b	4P	
1270009200	GMD-6M	DC72V	3W	2a2b	4P	
1270009300	GMD-6M	DC110V	3W	2a2b	4P	
1270009400	GMD-6M	DC120V	3W	2a2b	4P	
1270009500	GMD-6M	DC125V	3W	2a2b	4P	
1270009600	GMD-6M	DC220V	3W	2a2b	4P	
1270009700	GMD-6M	DC240V	3W	2a2b	4P	
1270009800	GMD-6M	DC250V	3W	2a2b	4P	
1270021400	GMD-9M	DC12V	1.2W	2a2b	4P	
1270021500	GMD-9M	DC20V	1.2W	2a2b	4P	

## 4-pole DC operating Mini Contactors (6~16A)

Catalogue No.	Model	Coil Voltage (V)	Coil consumption	Main Contact	Pole	Page No.
1270021600	GMD-9M	DC24V	1.2W	2a2b	4P	
1270021700	GMD-9M	DC48V	1.2W	2a2b	4P	
1270021800	GMD-9M	DC72V	1.2W	2a2b	4P	
1270021900	GMD-9M	DC110V	1.2W	2a2b	4P	
1270022000	GMD-9M	DC120V	1.2W	2a2b	4P	
1270012700	GMD-9M	DC12V	1.2W	4a	4P	
1270012800	GMD-9M	DC20V	1.2W	4a	4P	
1270012900	GMD-9M	DC24V	1.2W	4a	4P	
1270013000	GMD-9M	DC48V	1.2W	4a	4P	
1270013100	GMD-9M	DC72V	1.2W	4a	4P	
1270013200	GMD-9M	DC110V	1.2W	4a	4P	
1270013300	GMD-9M	DC120V	1.2W	4a	4P	
1270022100	GMD-9M	DC12V	2W	2a2b	4P	
1270022200	GMD-9M	DC20V	2W	2a2b	4P	
1270022300	GMD-9M	DC24V	2W	2a2b	4P	
1270022400	GMD-9M	DC48V	2W	2a2b	4P	
1270022500	GMD-9M	DC72V	2W	2a2b	4P	
1270022600	GMD-9M	DC110V	2W	2a2b	4P	
1270022700	GMD-9M	DC120V	2W	2a2b	4P	
1270013400	GMD-9M	DC12V	2W	4a	4P	
1270013500	GMD-9M	DC20V	2W	4a	4P	
1270013600	GMD-9M	DC24V	2W	4a	4P	
1270013700	GMD-9M	DC48V	2W	4a	4P	
1270013800	GMD-9M	DC72V	2W	4a	4P	
1270013900	GMD-9M	DC110V	2W	4a	4P	
1270014000	GMD-9M	DC120V	2W	4a	4P	
1270011300	GMD-9M	DC12V	3W	4a	4P	
1270011400	GMD-9M	DC20V	3W	4a	4P	
1270011500	GMD-9M	DC24V	3W	4a	4P	
1270011600	GMD-9M	DC36V	3W	4a	4P	
1270011700	GMD-9M	DC42V	3W	4a	4P	
1270011800	GMD-9M	DC48V	3W	4a	4P	
1270011900	GMD-9M	DC60V	3W	4a	4P	
1270012000	GMD-9M	DC72V	3W	4a	4P	
1270012100	GMD-9M	DC110V	3W	4a	4P	
1270012200	GMD-9M	DC120V	3W	4a	4P	
1270012300	GMD-9M	DC125V	3W	4a	4P	
1270012400	GMD-9M	DC220V	3W	4a	4P	
1270012500	GMD-9M	DC240V	3W	4a	4P	
1270012600	GMD-9M	DC250V	3W	4a	4P	
1270020000	GMD-9M	DC12V	3W	2a2b	4P	
1270020100	GMD-9M	DC20V	3W	2a2b	4P	
1270020200	GMD-9M	DC24V	3W	2a2b	4P	
1270020300	GMD-9M	DC36V	3W	2a2b	4P	
1270020400	GMD-9M	DC42V	3W	2a2b	4P	
1270020500	GMD-9M	DC48V	3W	2a2b	4P	
1270020600	GMD-9M	DC60V	3W	2a2b	4P	
1270020700	GMD-9M	DC72V	3W	2a2b	4P	
1270020800	GMD-9M	DC110V	3W	2a2b	4P	
1270020900	GMD-9M	DC120V	3W	2a2b	4P	
1270021000	GMD-9M	DC125V	3W	2a2b	4P	
1270021100	GMD-9M	DC220V	3W	2a2b	4P	
1270021200	GMD-9M	DC240V	3W	2a2b	4P	
1270021300	GMD-9M	DC250V	3W	2a2b	4P	
1270032600	GMD-12M	DC12V	1.2W	2a2b	4P	
1270032700	GMD-12M	DC20V	1.2W	2a2b	4P	
1270032800	GMD-12M	DC24V	1.2W	2a2b	4P	
1270032900	GMD-12M	DC48V	1.2W	2a2b	4P	

# Catalogue numbers index

## Mini Contactors

### 4-pole DC operating Mini Contactors (6~16A)








Catalogue No.	Model	Coil Voltage (V)	Coil consumption	Main Contact	Pole	Page No.
1270033000	GMD-12M	DC72V	1.2W	2a2b	4P	
1270033100	GMD-12M	DC110V	1.2W	2a2b	4P	
1270033200	GMD-12M	DC120V	1.2W	2a2b	4P	
1270024200	GMD-12M	DC12V	1.2W	4a	4P	
1270024300	GMD-12M	DC20V	1.2W	4a	4P	
1270024400	GMD-12M	DC24V	1.2W	4a	4P	
1270024500	GMD-12M	DC48V	1.2W	4a	4P	
1270024600	GMD-12M	DC72V	1.2W	4a	4P	
1270024700	GMD-12M	DC110V	1.2W	4a	4P	
1270024800	GMD-12M	DC120V	1.2W	4a	4P	
1270033300	GMD-12M	DC12V	2W	2a2b	4P	
1270033400	GMD-12M	DC20V	2W	2a2b	4P	
1270033500	GMD-12M	DC24V	2W	2a2b	4P	
1270033600	GMD-12M	DC48V	2W	2a2b	4P	
1270033700	GMD-12M	DC72V	2W	2a2b	4P	
1270033800	GMD-12M	DC110V	2W	2a2b	4P	
1270033900	GMD-12M	DC120V	2W	2a2b	4P	
1270024900	GMD-12M	DC12V	2W	4a	4P	
1270025000	GMD-12M	DC20V	2W	4a	4P	
1270025100	GMD-12M	DC24V	2W	4a	4P	
1270025200	GMD-12M	DC48V	2W	4a	4P	
1270025300	GMD-12M	DC72V	2W	4a	4P	
1270025400	GMD-12M	DC110V	2W	4a	4P	
1270025500	GMD-12M	DC120V	2W	4a	4P	
1270031200	GMD-12M	DC12V	3W	2a2b	4P	
1270031300	GMD-12M	DC20V	3W	2a2b	4P	
1270031400	GMD-12M	DC24V	3W	2a2b	4P	
1270031500	GMD-12M	DC36V	3W	2a2b	4P	
1270031600	GMD-12M	DC42V	3W	2a2b	4P	
1270031700	GMD-12M	DC48V	3W	2a2b	4P	
1270031800	GMD-12M	DC60V	3W	2a2b	4P	
1270031900	GMD-12M	DC72V	3W	2a2b	4P	
1270032000	GMD-12M	DC110V	3W	2a2b	4P	
1270032100	GMD-12M	DC120V	3W	2a2b	4P	
1270032200	GMD-12M	DC125V	3W	2a2b	4P	
1270032300	GMD-12M	DC220V	3W	2a2b	4P	
1270032400	GMD-12M	DC240V	3W	2a2b	4P	
1270032500	GMD-12M	DC250V	3W	2a2b	4P	
1270022800	GMD-12M	DC12V	3W	4a	4P	
1270022900	GMD-12M	DC20V	3W	4a	4P	
1270023000	GMD-12M	DC24V	3W	4a	4P	
1270023100	GMD-12M	DC36V	3W	4a	4P	
1270023200	GMD-12M	DC42V	3W	4a	4P	
1270023300	GMD-12M	DC48V	3W	4a	4P	
1270023400	GMD-12M	DC60V	3W	4a	4P	
1270023500	GMD-12M	DC72V	3W	4a	4P	
1270023600	GMD-12M	DC110V	3W	4a	4P	
1270023700	GMD-12M	DC120V	3W	4a	4P	
1270023800	GMD-12M	DC125V	3W	4a	4P	
1270023900	GMD-12M	DC220V	3W	4a	4P	
1270024000	GMD-12M	DC240V	3W	4a	4P	
1270024100	GMD-12M	DC250V	3W	4a	4P	
1270043900	GMD-16M	DC12V	1.2W	2a2b	4P	
1270044000	GMD-16M	DC20V	1.2W	2a2b	4P	
1270044100	GMD-16M	DC24V	1.2W	2a2b	4P	
1270044200	GMD-16M	DC48V	1.2W	2a2b	4P	
1270044300	GMD-16M	DC72V	1.2W	2a2b	4P	
1270044400	GMD-16M	DC110V	1.2W	2a2b	4P	

## 4-pole DC operating Mini Contactors (6~16A)

Catalogue No.	Model	Coil Voltage (V)	Coil consumption	Main Contact	Pole	Page No.
1270044500	GMD-16M	DC120V	1.2W	2a2b	4P	
1270035500	GMD-16M	DC12V	1.2W	4a	4P	
1270035600	GMD-16M	DC20V	1.2W	4a	4P	
1270035700	GMD-16M	DC24V	1.2W	4a	4P	
1270035800	GMD-16M	DC48V	1.2W	4a	4P	
1270035900	GMD-16M	DC72V	1.2W	4a	4P	
1270036000	GMD-16M	DC110V	1.2W	4a	4P	
1270036100	GMD-16M	DC120V	1.2W	4a	4P	
1270044600	GMD-16M	DC12V	2W	2a2b	4P	
1270044700	GMD-16M	DC20V	2W	2a2b	4P	
1270044800	GMD-16M	DC24V	2W	2a2b	4P	
1270044900	GMD-16M	DC48V	2W	2a2b	4P	
1270045000	GMD-16M	DC72V	2W	2a2b	4P	
1270045100	GMD-16M	DC110V	2W	2a2b	4P	
1270045200	GMD-16M	DC120V	2W	2a2b	4P	
1270036200	GMD-16M	DC12V	2W	4a	4P	
1270036300	GMD-16M	DC20V	2W	4a	4P	
1270036400	GMD-16M	DC24V	2W	4a	4P	
1270036500	GMD-16M	DC48V	2W	4a	4P	
1270036600	GMD-16M	DC72V	2W	4a	4P	
1270036700	GMD-16M	DC110V	2W	4a	4P	
1270036800	GMD-16M	DC120V	2W	4a	4P	
1270042500	GMD-16M	DC12V	3W	2a2b	4P	
1270042600	GMD-16M	DC20V	3W	2a2b	4P	
1270042700	GMD-16M	DC24V	3W	2a2b	4P	
1270042800	GMD-16M	DC36V	3W	2a2b	4P	
1270042900	GMD-16M	DC42V	3W	2a2b	4P	
1270043000	GMD-16M	DC48V	3W	2a2b	4P	
1270043100	GMD-16M	DC60V	3W	2a2b	4P	
1270043200	GMD-16M	DC72V	3W	2a2b	4P	
1270043300	GMD-16M	DC110V	3W	2a2b	4P	
1270043400	GMD-16M	DC120V	3W	2a2b	4P	
1270043500	GMD-16M	DC125V	3W	2a2b	4P	
1270043600	GMD-16M	DC220V	3W	2a2b	4P	
1270043700	GMD-16M	DC240V	3W	2a2b	4P	
1270043800	GMD-16M	DC250V	3W	2a2b	4P	
1270034100	GMD-16M	DC12V	3W	4a	4P	
1270034200	GMD-16M	DC20V	3W	4a	4P	
1270034400	GMD-16M	DC36V	3W	4a	4P	
1270034500	GMD-16M	DC42V	3W	4a	4P	
1270034600	GMD-16M	DC48V	3W	4a	4P	
1270034700	GMD-16M	DC60V	3W	4a	4P	
1270034800	GMD-16M	DC72V	3W	4a	4P	
1270034900	GMD-16M	DC110V	3W	4a	4P	
1270035000	GMD-16M	DC120V	3W	4a	4P	
1270035100	GMD-16M	DC125V	3W	4a	4P	
1270035200	GMD-16M	DC220V	3W	4a	4P	
1270035300	GMD-16M	DC240V	3W	4a	4P	
1270035400	GMD-16M	DC250V	3W	4a	4P	

## Mini contactor

### ● Certificate of approvals

A species of certification		Approvals						Certificates
A species of standard		Safety certificate	IEC	cUL		GB	Gosstandart	IEC
Mark or certification								
Type			CE	cUL		CCC	GOST	KEMA
		Korea	Europe	U.S.A	Canada	China	Russia	Netherlands
Mini contactor	GMC(D)-6M	●	●	●		●	●	●
	GMC(D)-9M	●	●	●		●	●	●
	GMC(D)-12M	●	●	●		●	●	●
	GMC(D)-16M	●	●	●		●	●	●
	GMC(D)-6MF	●	●	●			●	●
	GMC(D)-9MF	●	●	●			●	●
	GMC(D)-12MF	●	●	●			●	●
	GMC(D)-16MF	●	●	●			●	●
	GMC(D)-6MC	●	●	●			●	●
	GMC(D)-9MC	●	●	●			●	●
	GMC(D)-12MC	●	●	●			●	●
	GMC(D)-16MC	●	●	●			●	●
	GMC(D)-6MP	●	●	●			●	●
	GMC(D)-9MP	●	●	●			●	●
GMC(D)-12MP	●	●	●			●	●	
GMC(D)-16MP	●	●	●			●	●	
Mini standard contactor	GMS-6M(D)/3	●	●	●				●
	GMS-9M(D)/3	●	●	●				●
	GMS-12M(D)/3	●	●	●				●
	GMS-16M(D)/3	●	●	●				●
	GMS-6M(D)/K	●	●	●				●
	GMS-9M(D)/K	●	●	●				●
	GMS-16M(D)/K	●	●	●				●
Mini reversing contactor	GMS-6MR(D)/3	●	●	●				●
	GMS-9MR(D)/3	●	●	●				●
	GMS-12MR(D)/3	●	●	●				●
	GMS-16MR(D)/3	●	●	●				●
	GMS-6MR(D)/K	●	●	●				●
	GMS-9MR(D)/K	●	●	●				●
	GMS-16MR(D)/K	●	●	●				●
Mini 4pole contactor	GMC(D)-6M/4	●	●	●		●		●
	GMC(D)-9M/4	●	●	●		●		●
	GMC(D)-12M/4	●	●	●		●		●
	GMC(D)-16M/4	●	●	●		●		●
Mini reversing contactor	GMC(D)-6MR	●	●	●				●
	GMC(D)-9MR	●	●	●				●
	GMC(D)-12MR	●	●	●				●
	GMC(D)-16MR	●	●	●				●
Overload relay	GMR-4M(D)		●	●		●		●
	GMR-6M(D)		●	●		●		●
	GMR-8M(D)		●	●		●		●
Thermal overload relay Phase loss Standard protector	GTH-12M/3		●	●		●		●
	GTH-12MH		●	●		●		●
	GTK-12M		●	●		●		●
	GTK-12MH		●	●		●		●
Accessory	AU-1,2,4M		●	●		●	●	●
	AU-1,2,4MF		●	●		●	●	●
	AU-1,2,4MC		●	●		●	●	●
	AU-1MP		●	●		●	●	●
	AR-12M		●	●				●
	AZ-12M		●	●				●
	AT-12M			●			●	
	AS-12M			●			●	

※ Remark : ●Completion, ▲Progressing